

SHEET TITLE

01	COVER SHEET
02	BOM & PCB MODIFY HISTORY
03	BLOCK DIAGRAM
04	CPU_LGA1155-A
05	CPU_LGA1155-B
06	CPU_LGA1155-C
07	DDR III CHANNEL A
08	DDR III CHANNEL B
09	PCH_FDI,DMI,USB,PCIE,NVRAM
10	PCH_DP,CLK BUFFER
11	PCH_HOST,SATA,PCI
12	PCH_GPIO,CTRL,AUDIO
13	PCH_PWR,GND
14	PCI EXPRESS*16 SLOT
15	PCI EXPRESS*1 SLOT
16	IT8892E
17	PCI SLOT1&2
18	ITE 8728 LPC IO
19	COM,KB USB,USB_ESATA,-PROCHOT
20	HWM,FAN CTRL,OV,
21	DUAL BIOS
22	FP,FUSB,SPK,SATALED
23	Realtek ALC887-VD2
24	REAR AUDIO JACK
25	REALTEK RTL8111F-VL
26	DISCRETE POWER
27	ATX

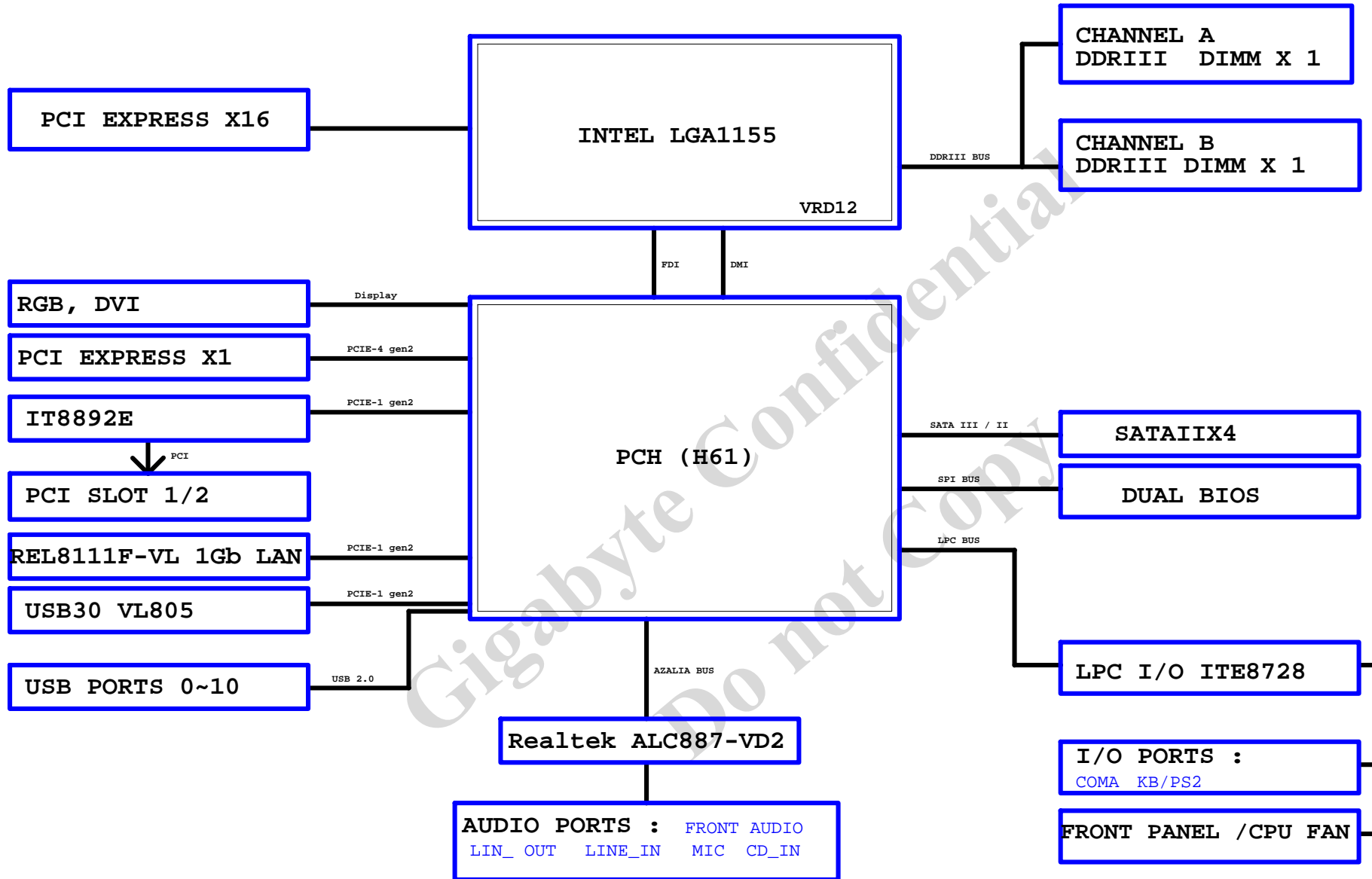
SHEET TITLE

28	LINEAR CPU_VTT
29	VCORE ISL95836_1
30	VCORE ISL95836_2
31	VCORE ISL95836_3
32	LPT
33	USB3.0 VL805

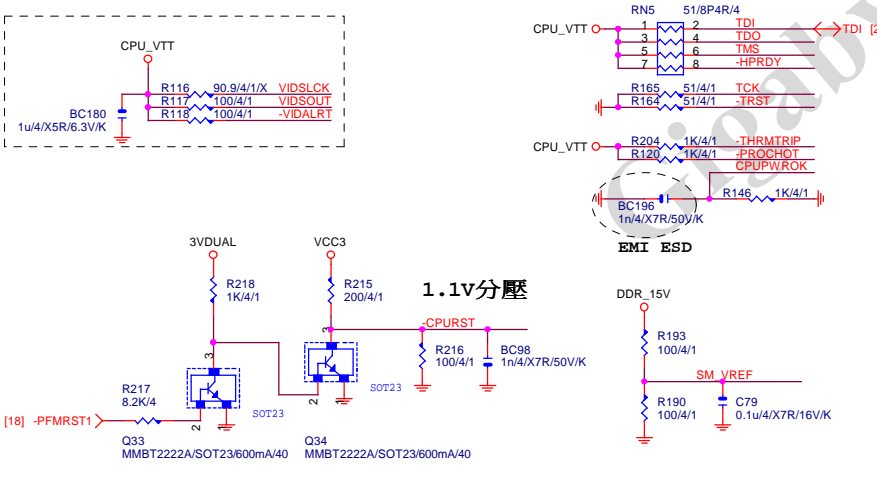
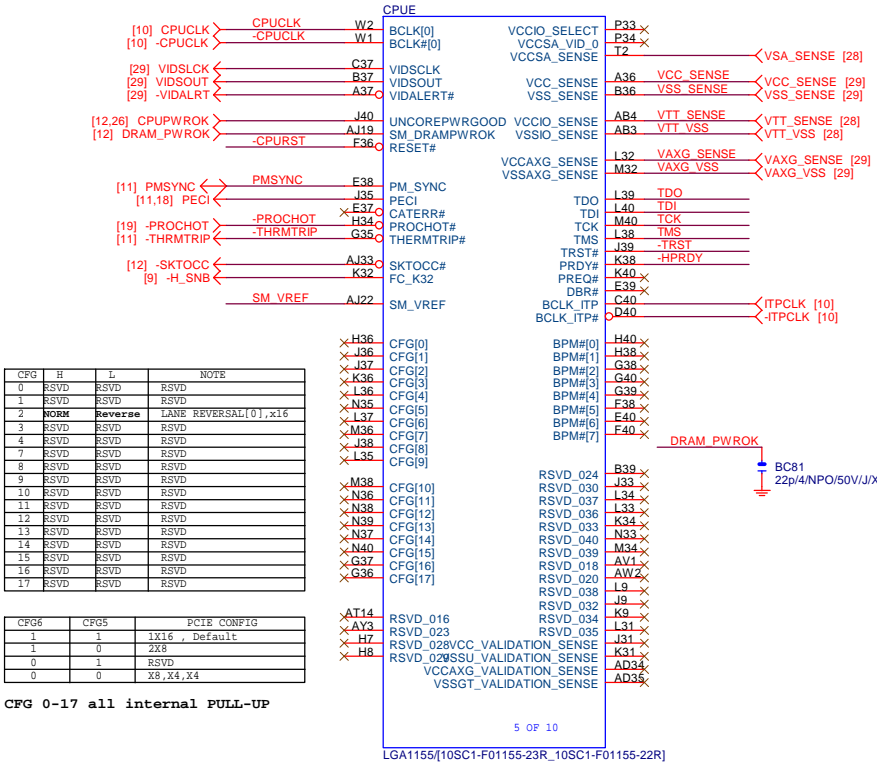
Gigabyte Technology

Title Cover Sheet		
Size Custom	Document Number GA-H61M-S2P-R3	Rev 3.01
Date: Thursday, April 18, 2013	Sheet 1	of 33

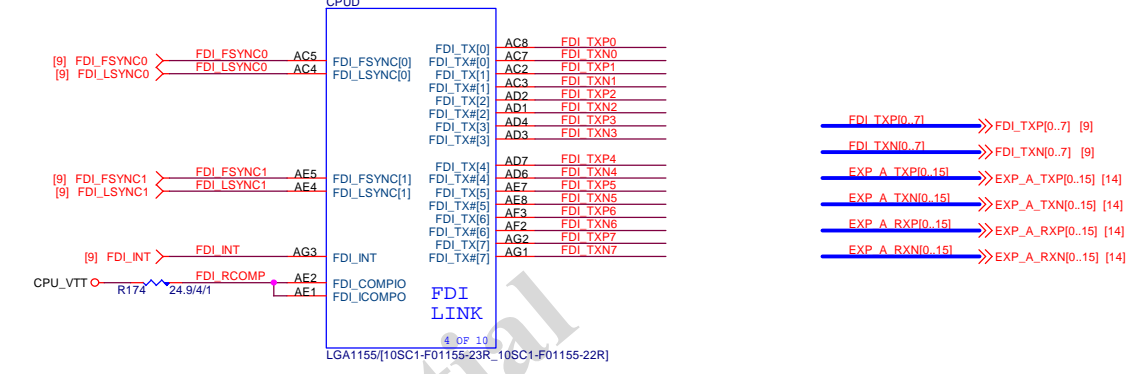
BLOCK DIAGRAM



CPU E



CPU D FDI



CPU C



STITCHING CAP.

N/A

Stitching caps for PCIE, DMI, FDI bus

Gigabyte Technology

Title: **CPU LGA1155-A**

Size Cuspm: Document Number **GA-H61M-S2P-R3** Rev **3.0**

Date: Thursday, April 18, 2013 Sheet 4 of 33

CPUA

MAAA0	AV27	SA_MA[0]	SA_DQS[0]	AK3	DQSA0	
MAAA1	AY24	SA_MA[1]	SA_DQS#(0)	AK2	-DQSA0	
MAAA2	AW24	SA_MA[2]				
MAAA3	AW23	SA_MA[3]				
MAAA4	AV23	SA_MA[3]	AJ3	MDA0		
MAAA5	AT24	SA_MA[4]	AJ4	MDA1		
MAAA6	AT23	SA_MA[5]	AJ3	MDA2		
MAAA7	AU22	SA_MA[6]	AL4	MDA3		
MAAA8	AV22	SA_MA[7]	AJ2	MDA4		
MAAA9	AT22	SA_MA[8]	AJ1	MDA5		
MAAA10	AV28	SA_MA[9]	AL2	MDA6		
MAAA11	AU21	SA_MA[10]	AL1	MDA7		
MAAA12	AT21	SA_MA[11]				
MAAA13	AW32	SA_MA[12]	AP3	DQSA1		
MAAA14	AU20	SA_MA[13]	AP2	-DQSA1		
MAAA15	AT20	SA_MA[14]	SA_DQS#(1)			
		SA_MA[15]				
[7] -SWEA	← -SCASA	AV30	SA_WE#	AN1	MDA8	
[7] -SCASA	← -SRASA	AU28	SA_CAS#	AN4	MDA9	
[7] -SRASA			SA_DQ[8]	AN3	MDA10	
			SA_DQ[9]	AR3	MDA10	
			SA_DQ[10]	AR4	MDA11	
[7] SBA00	← SBA00	AY29	SA_BS[0]	AN2	MDA12	
[7] SBA01	← SBA01	AW28	SA_BS[1]	AN3	MDA13	
[7] SBA02	← SBA02	AV20	SA_BS[2]	AR2	MDA14	
			SA_BS[2]	AR1	MDA15	
			SA_DQ[15]			
[7] -CSA0	← -CSA1	AV32	SA_CS#(0)	AW4	DQSA2	
[7] -CSA1		AW30	SA_CS#(1)	AW4	-DQSA2	
		AU33	SA_CS#(2)	SA_DQS#(2)		
			SA_CS#(3)			
[7] CKEA0	← CKEA0	AV19	SA_CKE[0]	AV2	MDA16	
[7] CKEA1	← CKEA1	AT19	SA_CKE[1]	AW3	MDA17	
		AU18	SA_CKE[2]	AV5	MDA18	
		AV18	SA_CKE[3]	AW5	MDA19	
				AU2	MDA20	
				AU3	MDA21	
				AU5	MDA22	
				AY5	MDA23	
				AW33		
				AV8	DQSA3	
				AW8	-DQSA3	
[7] DCLKA0	← DCLKA0	AY25	SA_CK[0]	AY7	MDA24	
[7] -DCLKA0	← -DCLKA0	AW25	SA_CK#(0)	AU7	MDA25	
[7] DCLKA1	← DCLKA1	AU24	SA_CK[1]	AV9	MDA26	
[7] -DCLKA1	← -DCLKA1	AU25	SA_CK[1]	AU9	MDA27	
		AW27	SA_CK[2]	AV7	MDA28	
		AY27	SA_CK#(2)	AW7	MDA29	
		AV26	SA_CK[3]	AW9	MDA30	
		AW26	SA_CK#(3)	AY9	MDA31	
[7,8] -DDR3_RST	←	AW18	SM_DRAMRST#	AV37	DQSA4	
				AV36	-DQSA4	
				SA_DQS#(4)		
				SA_DQ[32]	AU35	MDA32
				SA_DQ[33]	AW37	MDA33
				SA_DQ[34]	AU39	MDA34
				SA_DQ[35]	AU36	MDA35
				SA_DQ[36]	AV35	MDA36
				SA_DQ[37]	AV36	MDA37
				SA_DQ[38]	AU38	MDA38
				SA_DQ[39]	AU37	MDA39
				SA_DQS#(5)	AP38	DQSA5
				SA_DQS#(5)	AP39	-DQSA5
				SA_DQ[40]	AR40	MDA40
				SA_DQ[41]	AR37	MDA41
				SA_DQ[42]	AN38	MDA42
				SA_DQ[43]	AN37	MDA43
				SA_DQ[44]	AR39	MDA44
				SA_DQ[45]	AR38	MDA45
				SA_DQ[46]	AN39	MDA46
				SA_DQ[47]	AN40	MDA47
				SA_DQS#(6)	AK38	DQSA6
				SA_DQS#(6)	AK39	-DQSA6
				SA_DQ[48]	AL40	MDA48
				SA_DQ[49]	AL37	MDA49
				SA_DQ[50]	AJ38	MDA50
				SA_DQ[51]	AJ37	MDA51
				SA_DQ[52]	AL39	MDA52
				SA_DQ[53]	AL38	MDA53
				SA_DQ[54]	AJ39	MDA54
				SA_DQ[55]	AJ40	MDA55
				SA_DQS#(7)	AF38	DQSA7
				SA_DQS#(7)	AF39	-DQSA7
				SA_DQ[56]	AG40	MDA56
				SA_DQ[57]	AG37	MDA57
				SA_DQ[58]	AE38	MDA58
				SA_DQ[59]	AE37	MDA59
				SA_DQ[60]	AG39	MDA60
				SA_DQ[61]	AG38	MDA61
				SA_DQ[62]	AE39	MDA62
				SA_DQ[63]	AE40	MDA63

DDR_0

1 OF 10

LGA1155(F01155-23R_10SC1-F01155-22R)

CPUB

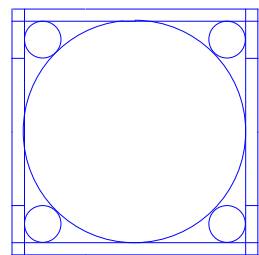
MAAB0	AK24	SB_MA[0]	SB_DQS[0]	AH7	DQSB0	
MAAB1	AK20	SB_MA[1]	SB_DQS#(0)	AH6	-DQSB0	
MAAB2	AM19	SB_MA[2]				
MAAB3	AK18	SB_MA[3]				
MAAB4	AP19	SB_MA[4]	AG7	MDB0		
MAAB5	AP18	SB_MA[5]	AG8	MDB1		
MAAB6	AM18	SB_MA[6]	AJ9	MDB2		
MAAB7	AL18	SB_MA[7]	AJ8	MDB3		
MAAB8	AL18	SB_MA[8]	SB_DQ[3]	AG5	MDB4	
MAAB9	AY17	SB_MA[9]	SB_DQ[4]	AG6	MDB5	
MAAB10	AN23	SB_MA[10]	SB_DQ[5]	AJ6	MDB6	
MAAB11	AU17	SB_MA[11]	SB_DQ[6]	AJ7	MDB7	
MAAB12	AT18	SB_MA[12]				
MAAB13	AR26	SB_MA[13]	SB_DQS#(1)	AM8	DQSB1	
MAAB14	AY16	SB_MA[14]	SB_DQS#(1)	AL8	-DQSB1	
MAAB15	AV16	SB_MA[15]				
[8] -SWEB	← -SWEB	AR25	SB_WE#	AL7	MDB8	
[8] -SCASB	← -SCASB	AK25	SB_CAS#	AM7	MDB9	
[8] -SRASB	← -SRASB	AP24	SB_RAS#	AM10	MDB10	
				AL0	MDB11	
				AL1	MDB12	
				AL2	MDB13	
				AL3	MDB14	
				AL9	MDB15	
				AM9	MDB15	
[8] SBAB0	← SBAB0	AP23	SB_BS[0]	AP8	DQSB2	
[8] SBAB1	← SBAB1	AM24	SB_BS[1]	AP8	-DQSB2	
[8] SBAB2	← SBAB2	AW17	SB_BS[2]	SA_DQS#(2)		
				SA_DQS#(2)		
				AN13	DQSB3	
				AN12	-DQSB3	
				AM12	MDB24	
				AM13	MDB25	
				AR13	MDB26	
				AP13	MDB27	
				AL12	MDB28	
				AL13	MDB29	
				AR12	MDB30	
				AP12	MDB31	
				AN29	DQSB4	
				AN28	-DQSB4	
				SA_DQS#(4)		
				SA_DQ[32]	AR28	MDB32
				SA_DQ[33]	AR29	MDB33
				SA_DQ[34]	AL28	MDB34
				SA_DQ[35]	AL29	MDB35
				SA_DQ[36]	AP28	MDB36
				SA_DQ[37]	AP29	MDB37
				SA_DQ[38]	AM28	MDB38
				SA_DQ[39]	AM29	MDB39
				SA_DQS#(5)	AP33	DQSB5
				SA_DQS#(5)	AR33	-DQSB5
				SA_DQ[40]	AP32	MDB40
				SA_DQ[41]	AP31	MDB41
				SA_DQ[42]	AP35	MDB42
				SA_DQ[43]	AR34	MDB43
				SA_DQ[44]	AR32	MDB44
				SA_DQ[45]	AR31	MDB45
				SA_DQ[46]	AR35	MDB46
				SA_DQ[47]	AR34	MDB47
				SA_DQS#(6)	AL33	DQSB6
				SA_DQS#(6)	AM33	-DQSB6
				SA_DQ[48]	AM32	MDB48
				SA_DQ[49]	AM31	MDB49
				SA_DQ[50]	AL35	MDB50
				SA_DQ[51]	AL32	MDB51
				SA_DQ[52]	AM34	MDB52
				SA_DQ[53]	AL31	MDB53
				SA_DQ[54]	AM35	MDB54
				SA_DQ[55]	AL34	MDB55
				SA_DQS#(7)	AG35	DQSB7
				SA_DQS#(7)	AG34	-DQSB7
				SA_DQ[56]	AH35	MDB56
				SA_DQ[57]	AH34	MDB57
				SA_DQ[58]	AE34	MDB58
				SA_DQ[59]	AE35	MDB59
				SA_DQ[60]	AJ35	MDB60
				SA_DQ[61]	AJ34	MDB61
				SA_DQ[62]	AF33	MDB62
				SA_DQ[63]	AF35	MDB63

DDR_1

2 OF 10

LGA1155(F01155-23R_10SC1-F01155-22R)

CR CPU RETENTION/X



Need check the new CPU ME

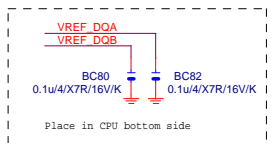
CPU_P



COVER

ILM_BP/1156/CSP/ILM_BP/1156/CSP/12KRC-0F0001-52R_12KRC-0F0001-51R

DDR SIGNAL



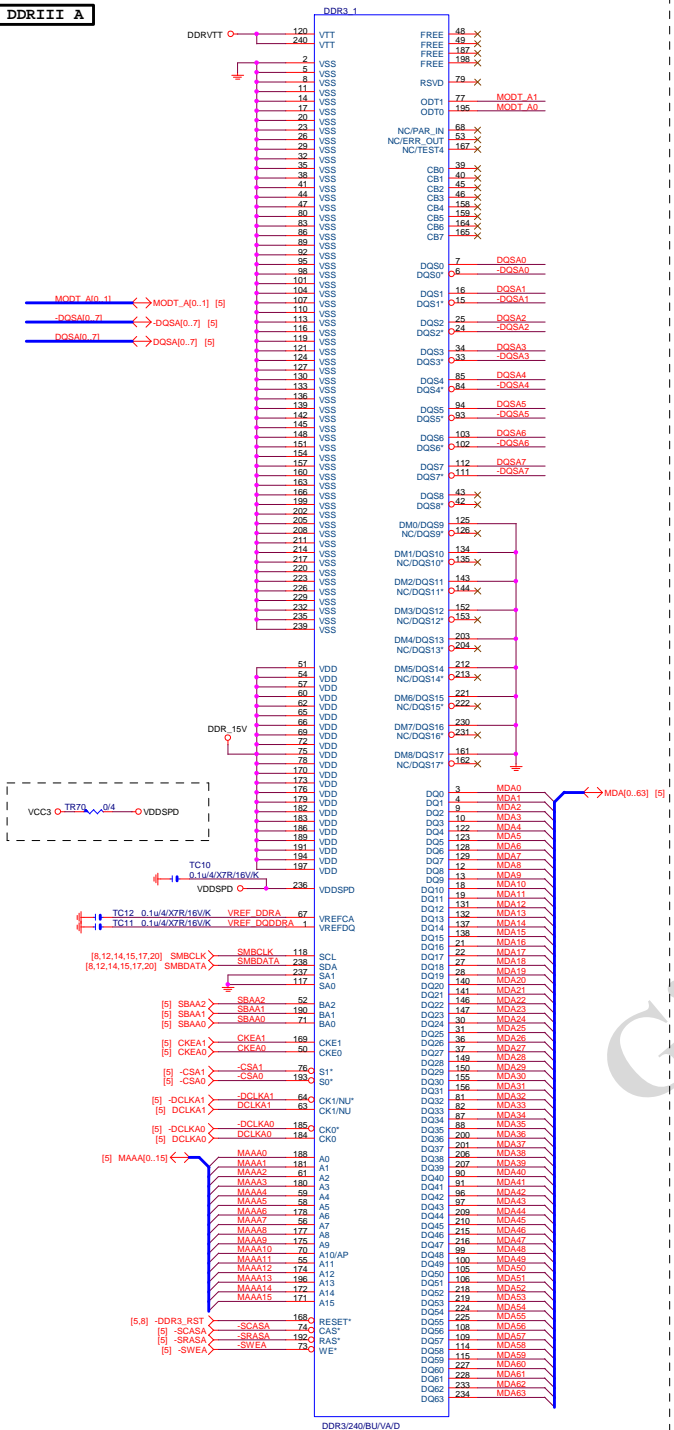
Place in CPU bottom side

- [7] MODT_A[0..1] ← MODT_A10_11
- [8] MODT_B[0..1] ← MODT_B10_11
- [7] MDA[0..63] ← MDA0_631
- [8] MDB[0..63] ← MDB0_631
- [7] DQSA[0..7] ← DQSA0_71
- [7] -DQSA[0..7] ← -DQSA0_71
- [7] MAA[0..15] ← MAA0_151
- [8] MAAB[0..15] ← MAAB0_151
- [8] DQSB[0..7] ← DQSB0_71
- [8] -DQSB[0..7] ← -DQSB0_71

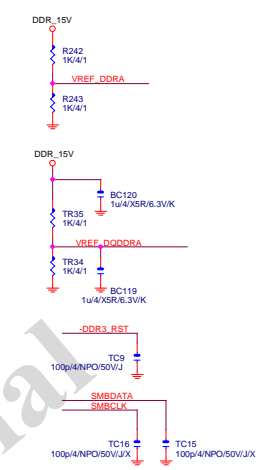
Gigabyte Technology

Title			CPU LGA1156-B		
Size			Document Number		
Custm			GA-H61M-S2P-R3		
Date:			Thursday, April 18, 2013		
Sheet			5 of 33		
Rev			3.01		

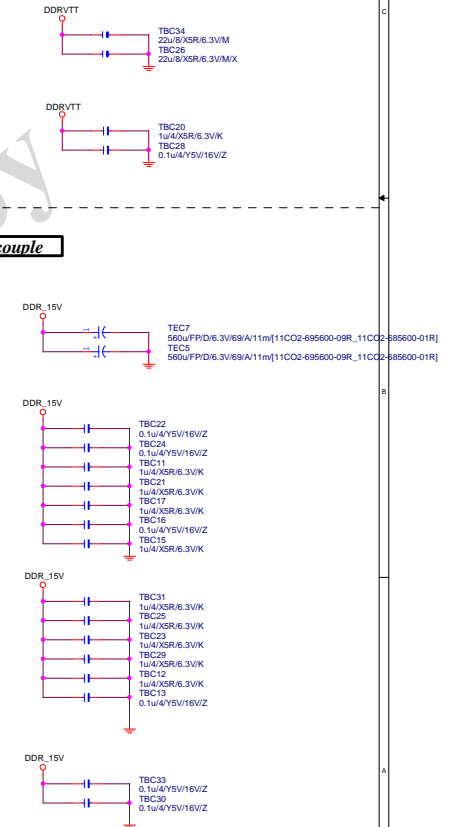
DDRIII A



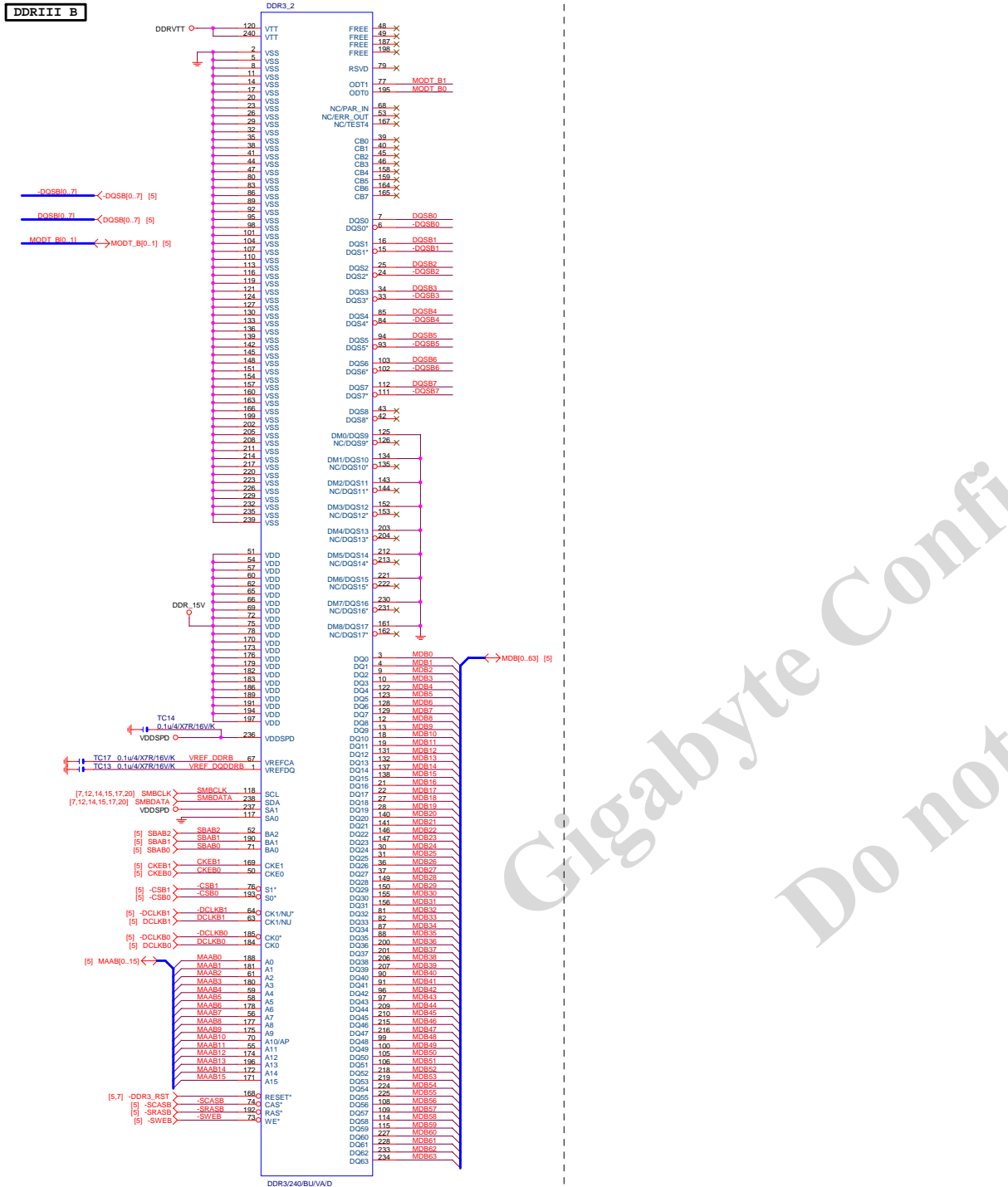
DDRVTT Decouple



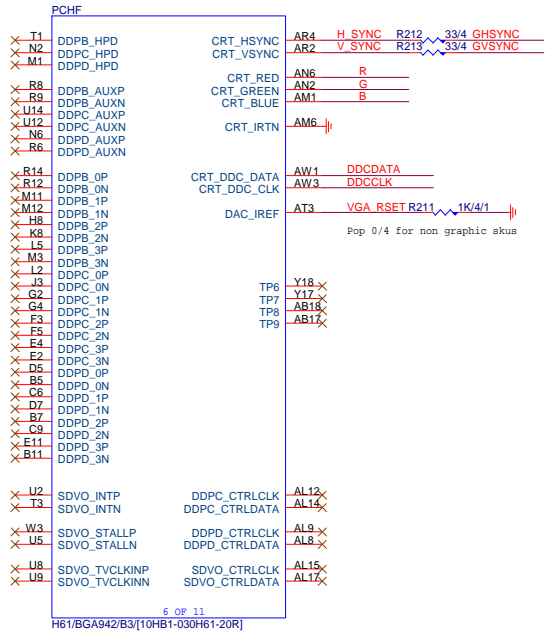
DDR15V Decouple



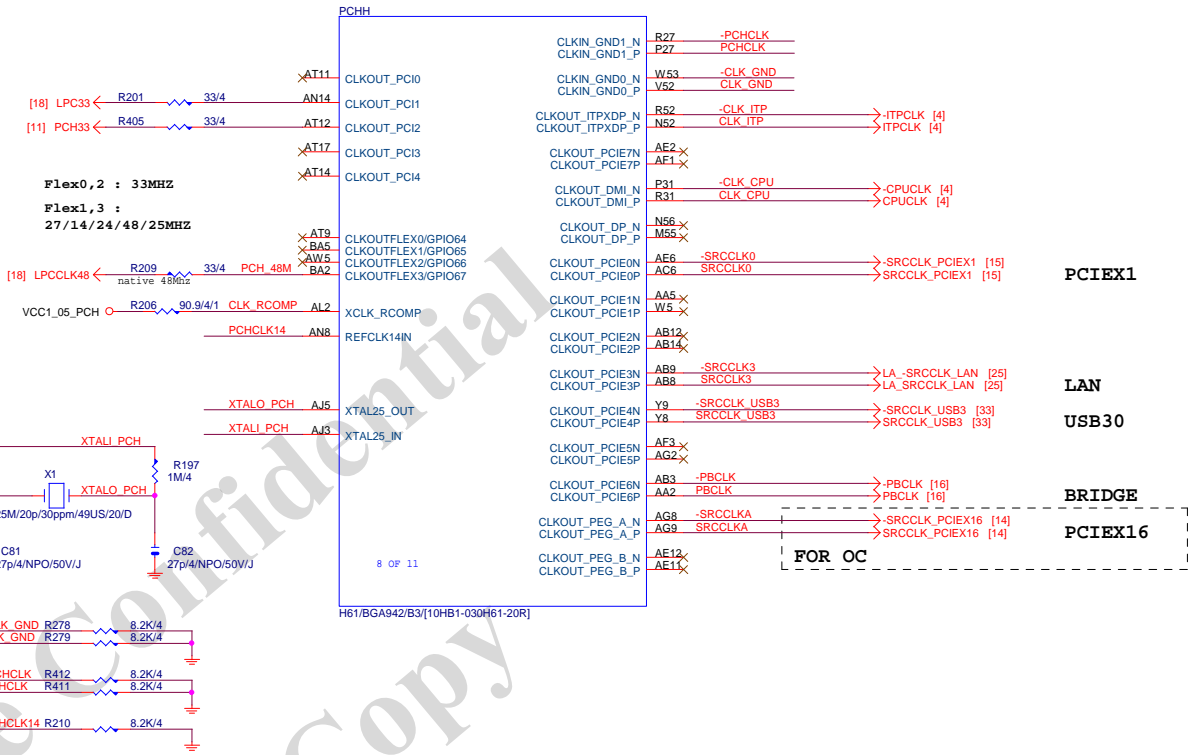
DDRIII B



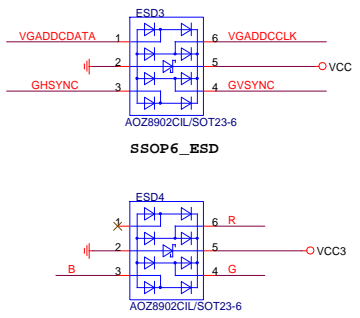
PCH F DISPLAY



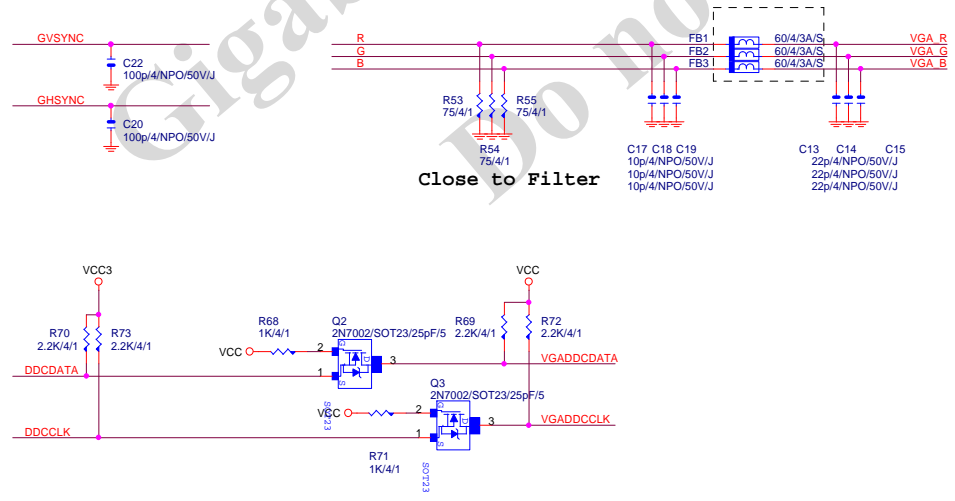
PCH H CLK BUFFER



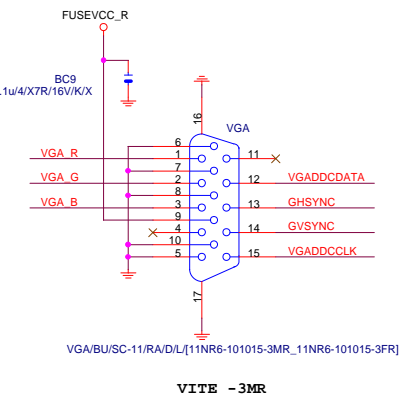
VGA ESD



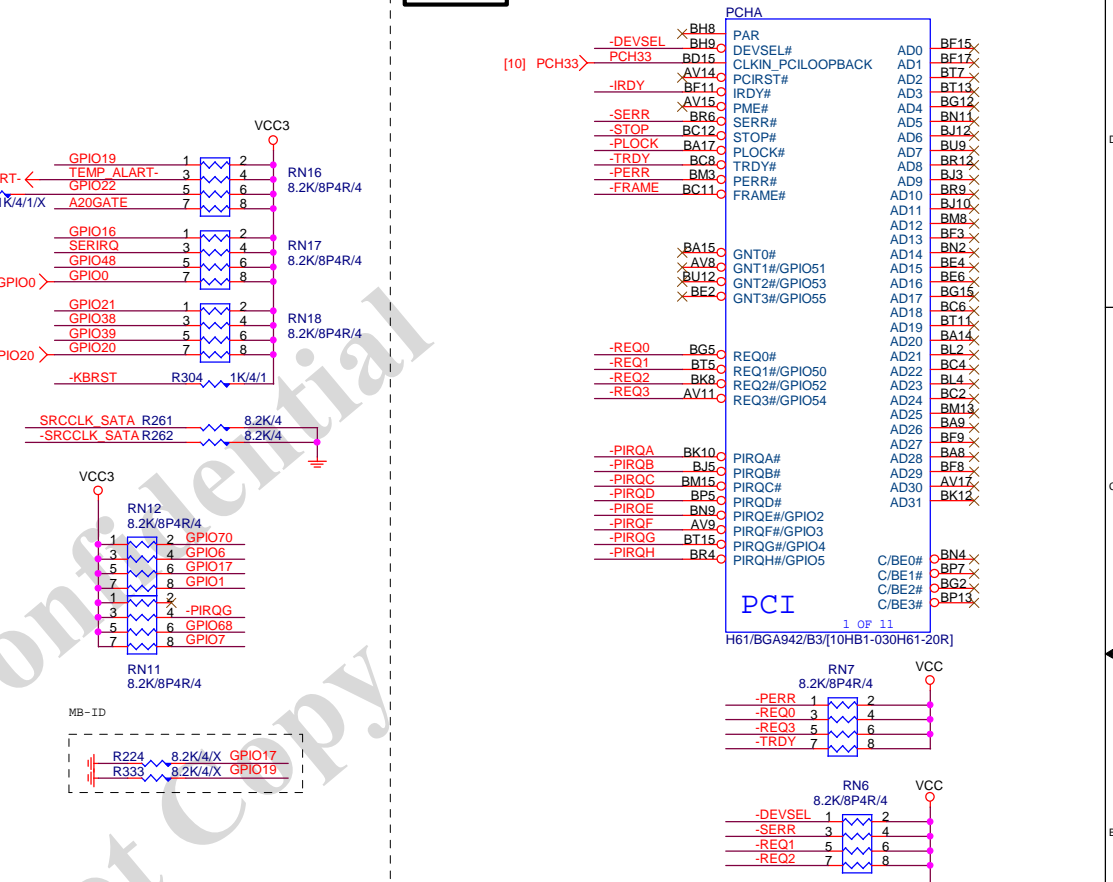
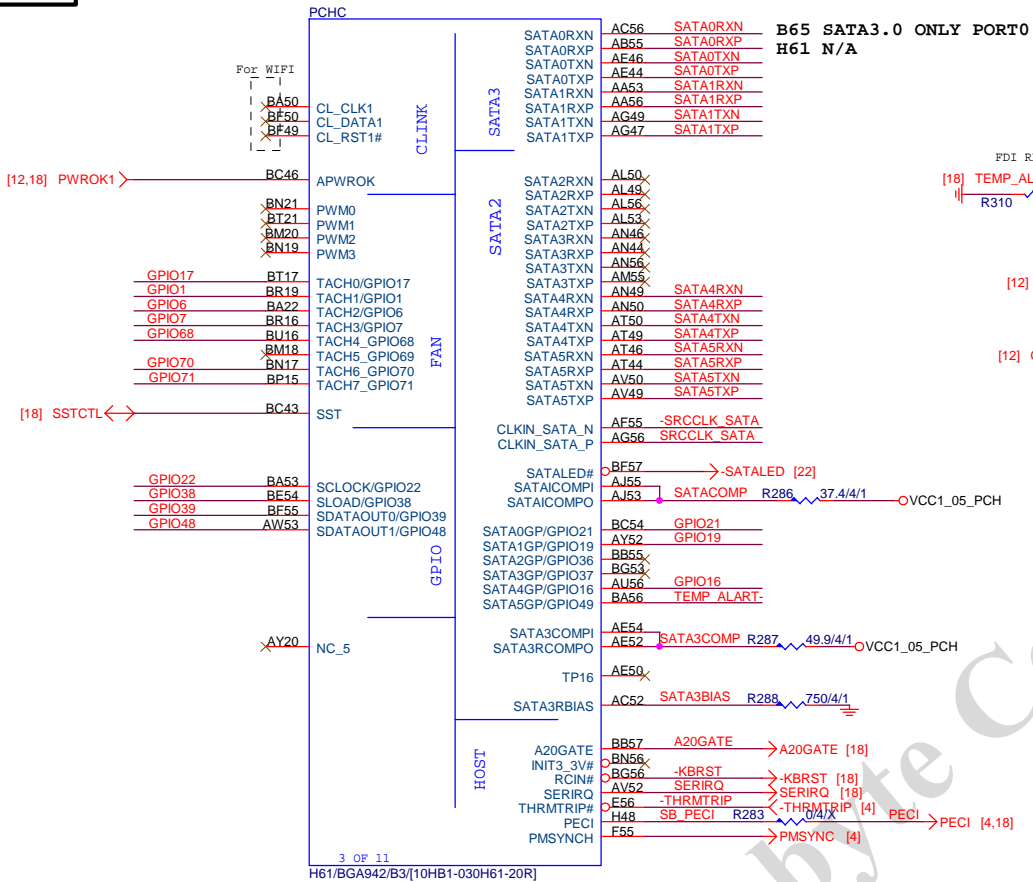
VGA SIGNAL



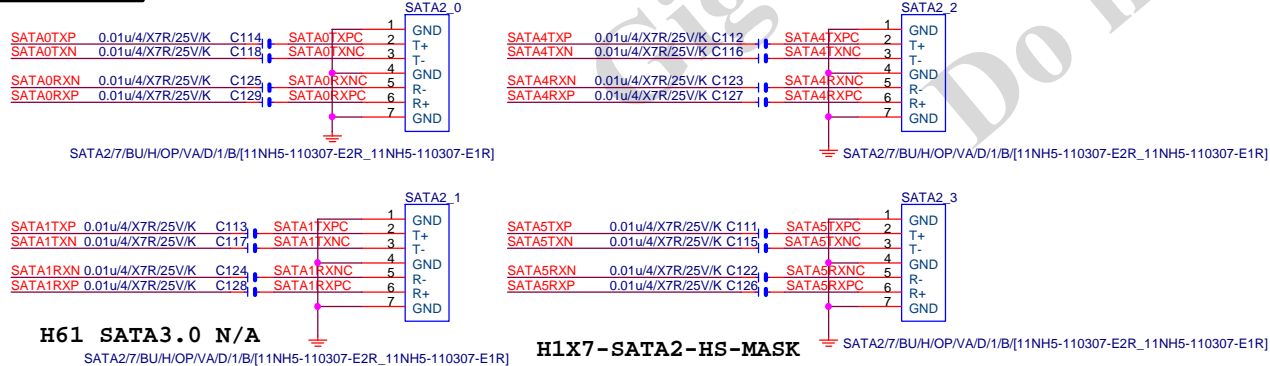
D-SUB



Gigabyte Technology			
Title PCH DISPLAY ,CLK BUFFER			
Size	Document Number	GA-H61M-S2P-R3	
Custom			Rev 3.01
Date:	Thursday, April 18, 2013	Sheet	10 of 33



SATA CONN.



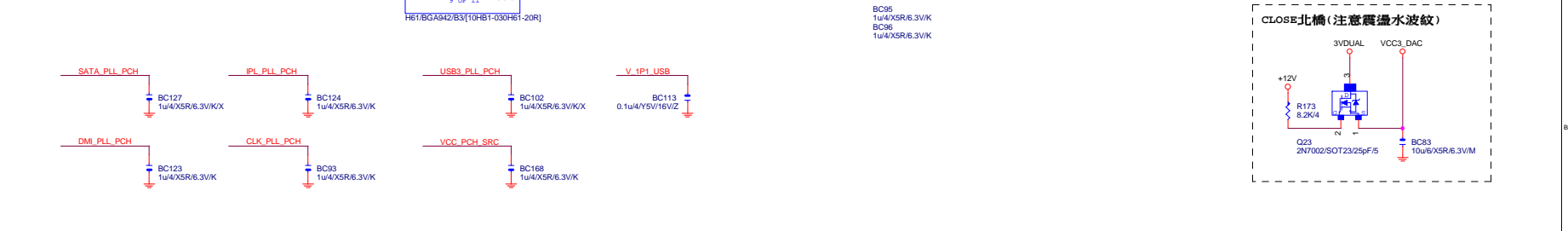
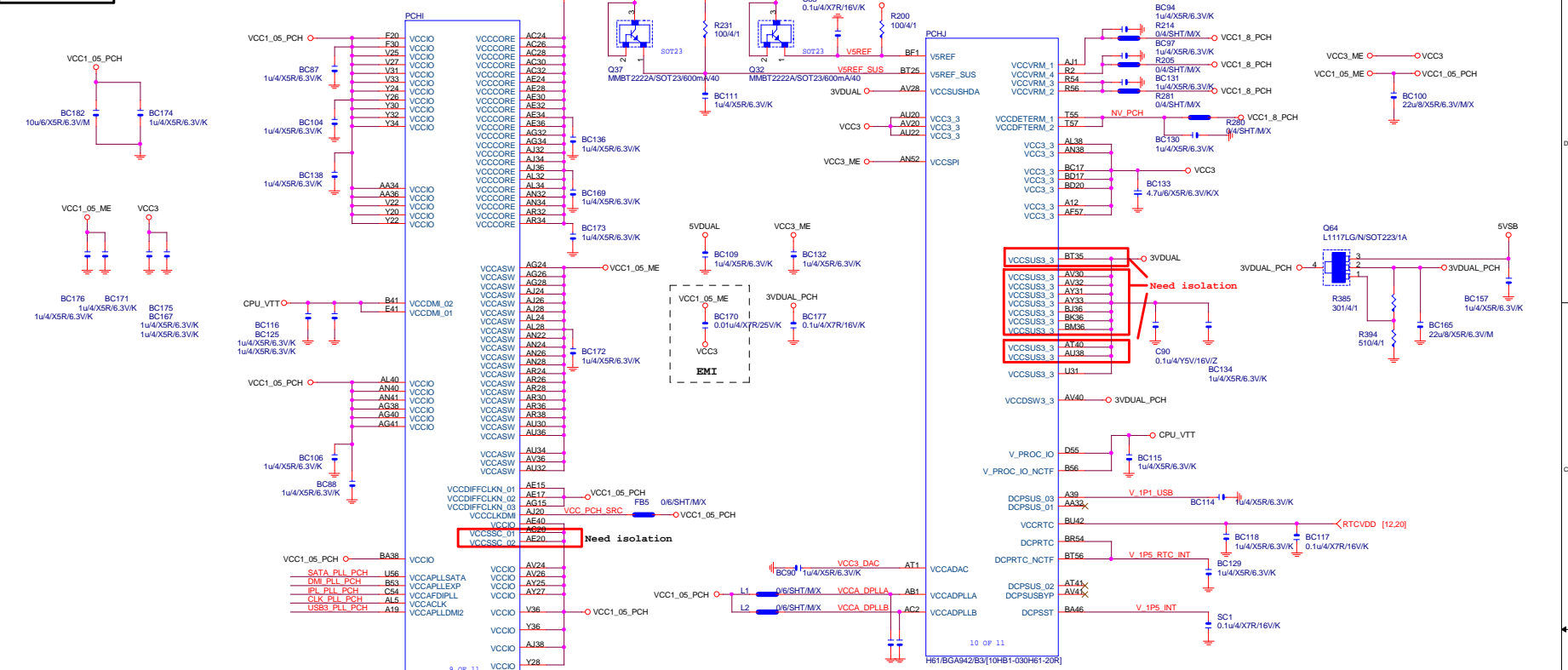
Gigabyte Technology

PCH HOST , SATA, PCI

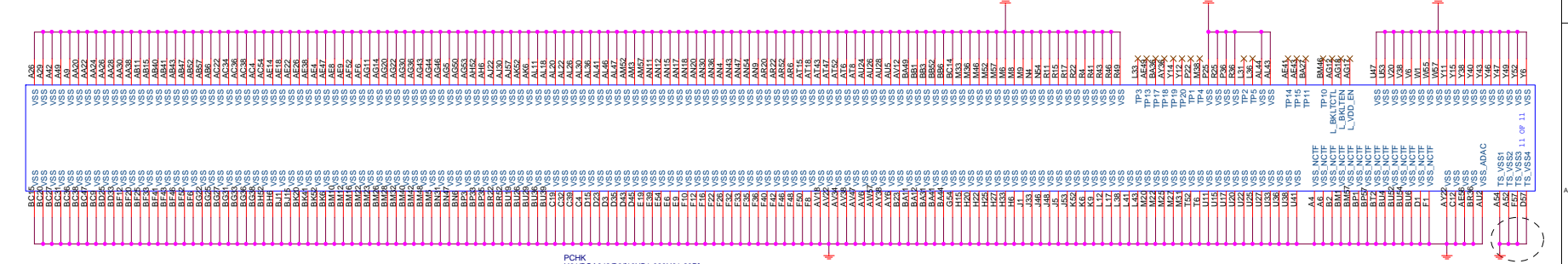
Size B Document Number **GA-H61M-S2P-R3** Rev 3.01

Date: Thursday, April 18, 2013 Sheet 11 of 33

PCH I POWER



PCH K GND



Gigabyte Technology

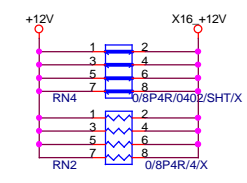
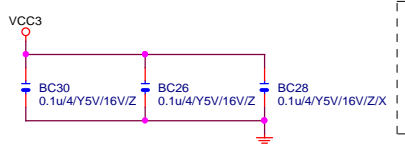
Title: PCH PWR_GND

Size: Document Number: GA-H61M-S2P-R3

Date: Thursday, April 18, 2013

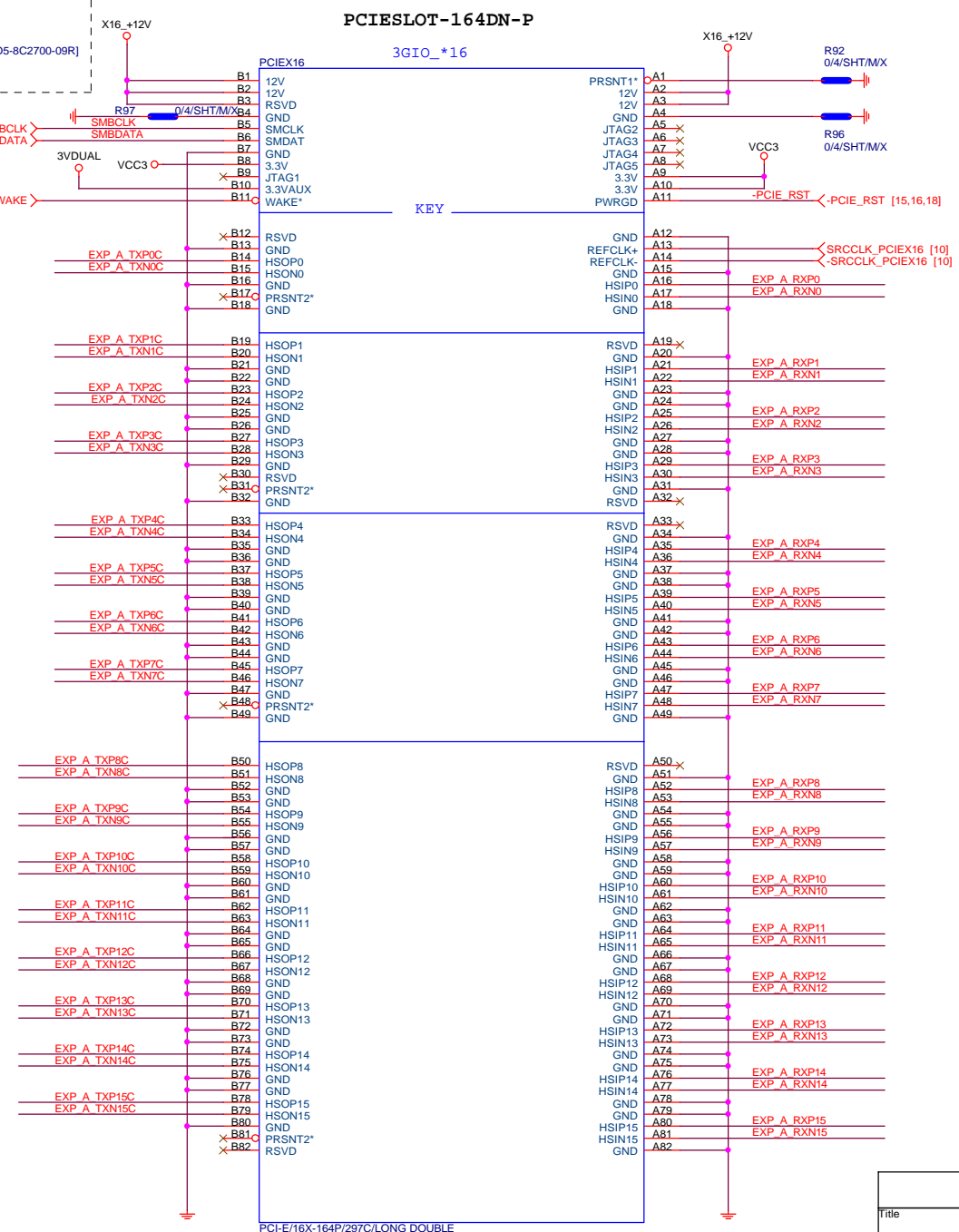
Sheet: 13 of 33

PCIEX16



- EXP A RXP0.[15] >> EXP_A_RXP0.[15] [4]
- EXP A RXN0.[15] >> EXP_A_RXN0.[15] [4]
- EXP A TXP0.[15] >> EXP_A_TXP0.[15] [4]
- EXP A TXN0.[15] >> EXP_A_TXN0.[15] [4]

EXP A TXP0	C32	0.22u/4/X5R/6.3V/K	EXP A TXPOC
EXP A TXN0	C30	0.22u/4/X5R/6.3V/K	EXP A TXNOC
EXP A TXP1	C35	0.22u/4/X5R/6.3V/K	EXP A TXP1C
EXP A TXN1	C37	0.22u/4/X5R/6.3V/K	EXP A TXN1C
EXP A TXP2	C39	0.22u/4/X5R/6.3V/K	EXP A TXP2C
EXP A TXN2	C41	0.22u/4/X5R/6.3V/K	EXP A TXN2C
EXP A TXP3	C43	0.22u/4/X5R/6.3V/K	EXP A TXP3C
EXP A TXN3	C45	0.22u/4/X5R/6.3V/K	EXP A TXN3C
EXP A TXP4	C46	0.22u/4/X5R/6.3V/K	EXP A TXP4C
EXP A TXN4	C49	0.22u/4/X5R/6.3V/K	EXP A TXN4C
EXP A TXP5	C50	0.22u/4/X5R/6.3V/K	EXP A TXP5C
EXP A TXN5	C51	0.22u/4/X5R/6.3V/K	EXP A TXN5C
EXP A TXP6	C52	0.22u/4/X5R/6.3V/K	EXP A TXP6C
EXP A TXN6	C54	0.22u/4/X5R/6.3V/K	EXP A TXN6C
EXP A TXP7	C57	0.22u/4/X5R/6.3V/K	EXP A TXP7C
EXP A TXN7	C58	0.22u/4/X5R/6.3V/K	EXP A TXN7C
EXP A TXP8	C60	0.22u/4/X5R/6.3V/K	EXP A TXP8C
EXP A TXN8	C61	0.22u/4/X5R/6.3V/K	EXP A TXN8C
EXP A TXP9	C62	0.22u/4/X5R/6.3V/K	EXP A TXP9C
EXP A TXN9	C63	0.22u/4/X5R/6.3V/K	EXP A TXN9C
EXP A TXP10	C64	0.22u/4/X5R/6.3V/K	EXP A TXP10C
EXP A TXN10	C65	0.22u/4/X5R/6.3V/K	EXP A TXN10C
EXP A TXP11	C66	0.22u/4/X5R/6.3V/K	EXP A TXP11C
EXP A TXN11	C67	0.22u/4/X5R/6.3V/K	EXP A TXN11C
EXP A TXP12	C68	0.22u/4/X5R/6.3V/K	EXP A TXP12C
EXP A TXN12	C70	0.22u/4/X5R/6.3V/K	EXP A TXN12C
EXP A TXP13	C72	0.22u/4/X5R/6.3V/K	EXP A TXP13C
EXP A TXN13	C73	0.22u/4/X5R/6.3V/K	EXP A TXN13C
EXP A TXP14	C74	0.22u/4/X5R/6.3V/K	EXP A TXP14C
EXP A TXN14	C75	0.22u/4/X5R/6.3V/K	EXP A TXN14C
EXP A TXP15	C77	0.22u/4/X5R/6.3V/K	EXP A TXP15C
EXP A TXN15	C78	0.22u/4/X5R/6.3V/K	EXP A TXN15C

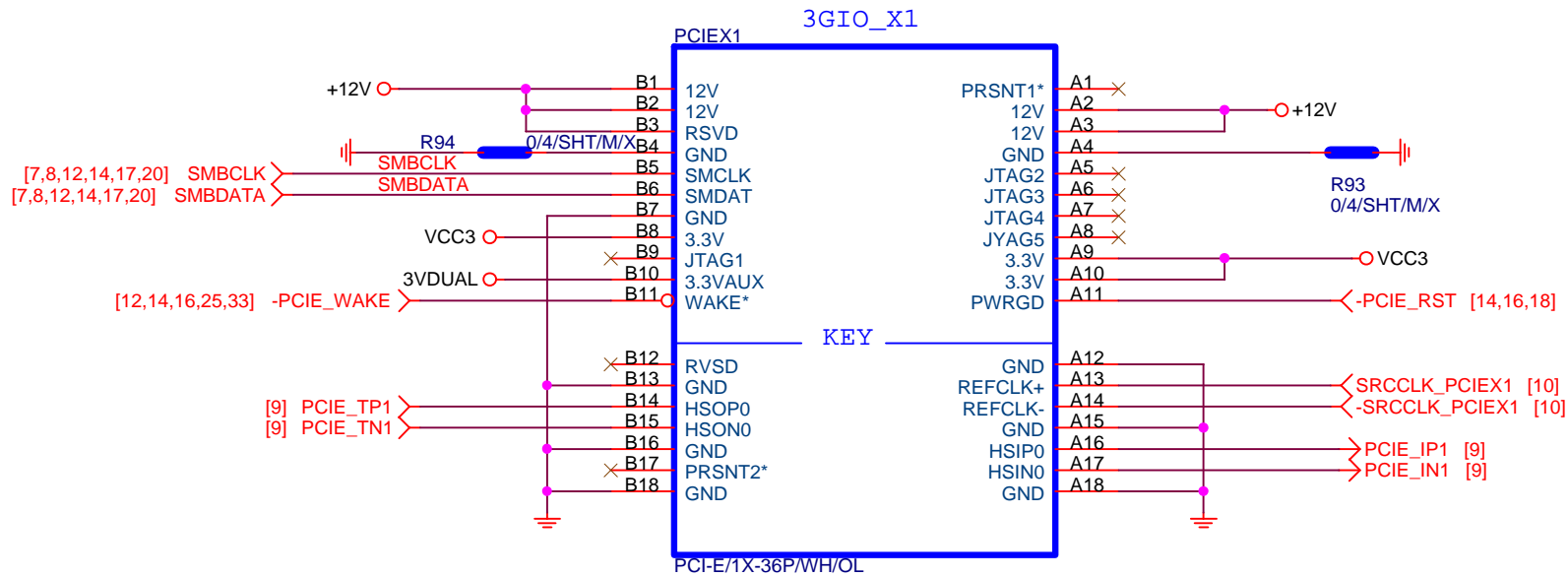


PCI-E/16X-164P/297C/LONG DOUBLE
LONG DOUBLE PUSH LATCH

Gigabyte Technology

Title: **PCI EXPRESS * 16**

Size Custom	Document Number	Rev
	GA-H61M-S2P-R3	3.01
Date: Thursday, April 18, 2013	Sheet 14	of 33

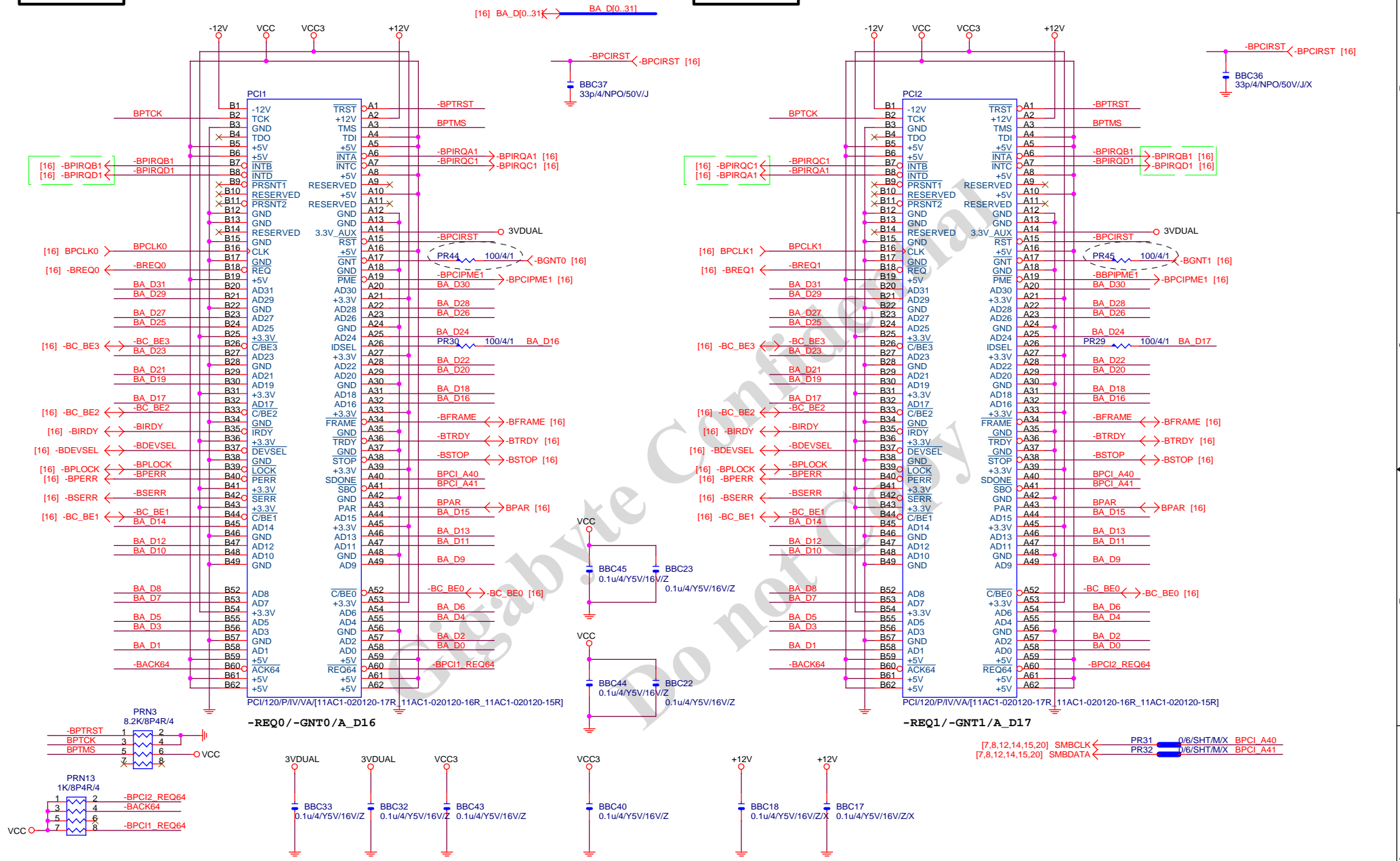


Gigabyte Technology

Title		
PCI EXPRESS X 1 PORT		
Size A	Document Number	Rev
	GA-H61M-S2P-R3	3.01
Date:	Thursday, April 18, 2013	Sheet 15 of 33

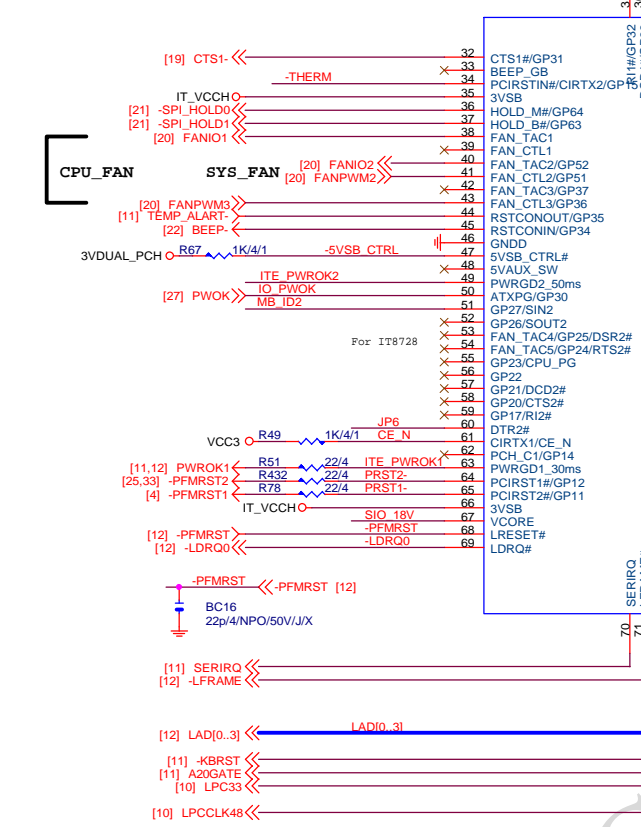
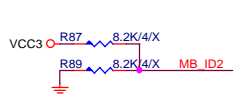
PCI SLOT 1

PCI SLOT 2

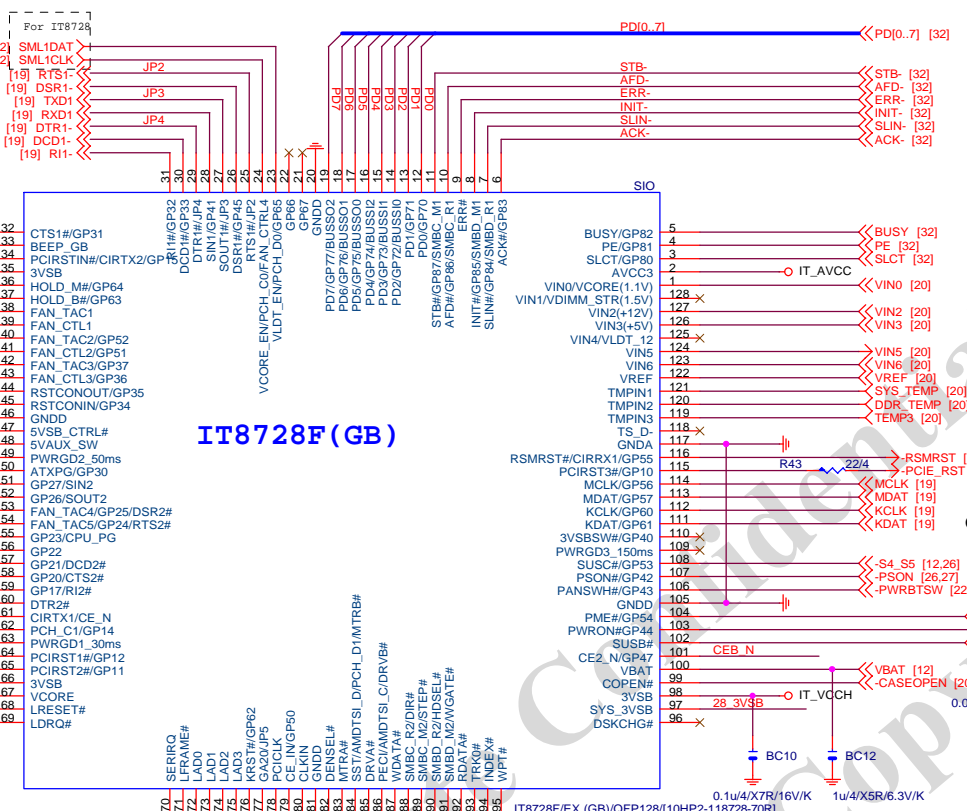


Gigabyte Technology		
Title PCI SLOT 1&2		
Size Custom	Document Number GA-H61M-S2P-R3	Rev 3.01
Date: Thursday, April 18, 2013	Sheet 17	of 33

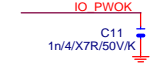
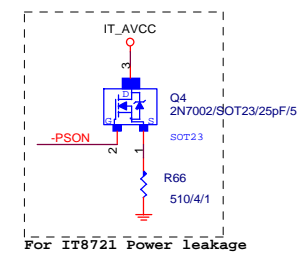
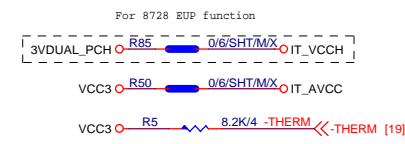
I/O



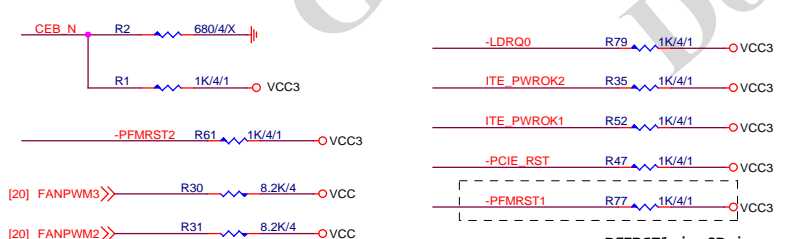
IT8728F (GB)



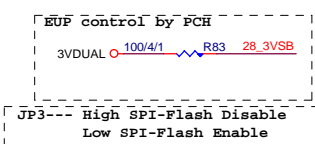
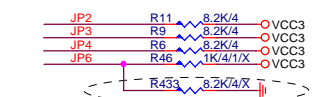
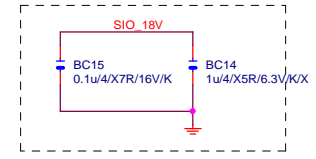
CHK GPIO53



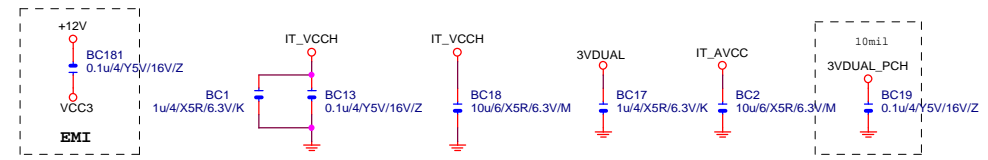
IT8728	
PIN121	VCORE_EN#/PCR_C0
PIN120	VLDT_EN/PCH_D0
PIN19	ATXPG
PIN31	PCR_C1
PIN53	SST7/AMDTSI_D/MTRB#/PCH_D1
PIN55	PEC1/AMDTSI_C/DRVB#
PIN66	SYS_3VSB
PIN70	GP47
PIN95	VIN2 (VCC5)
PIN96	VIN1 (VCC12)
PIN97	VIN1/VDIMM_STR (1.5V)
PIN98	VIN0/VCORE (1.1V)/NC



internal power pin, max 22nF cap



JP3--- High SPI-Flash Disable
Low SPI-Flash Enable



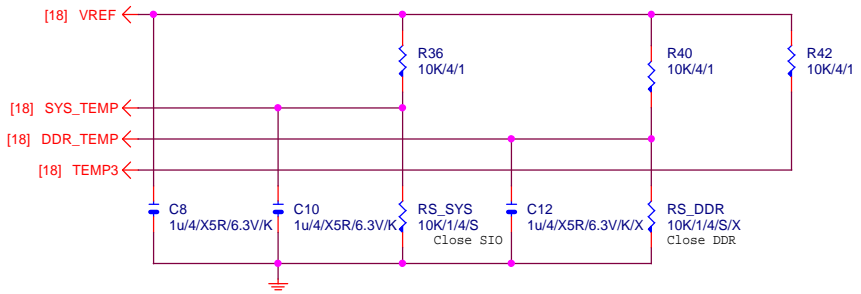
Gigabyte Technology

ITE 8728 LPC IO

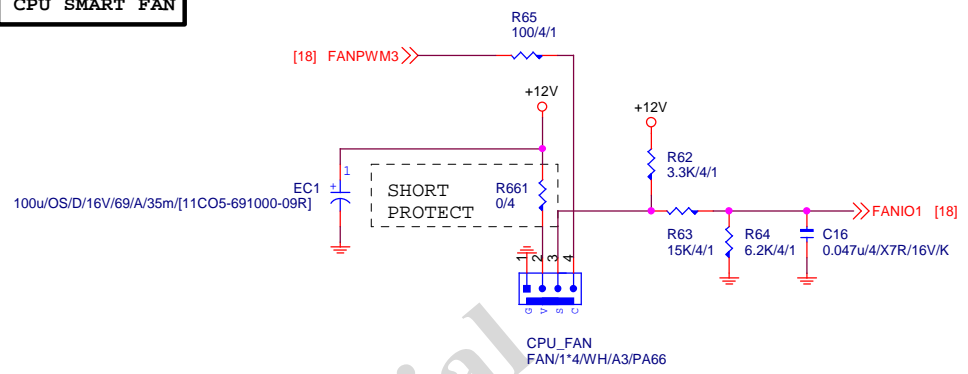
GA-H61M-S2P-R3

Title: _____
 Size: Custom Document Number: _____
 Date: Thursday, April 18, 2013 Sheet 18 of 33

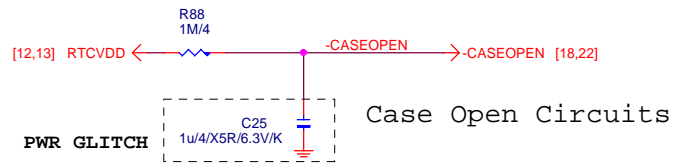
TEMP H/W MONITOR



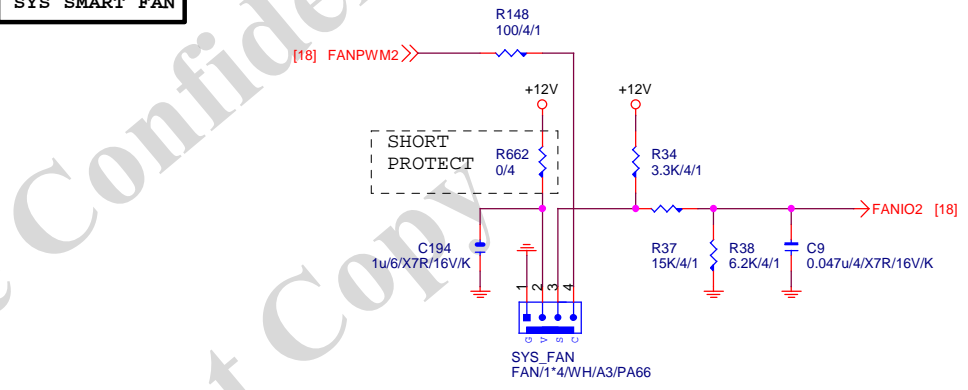
CPU SMART FAN



CASE OPEN

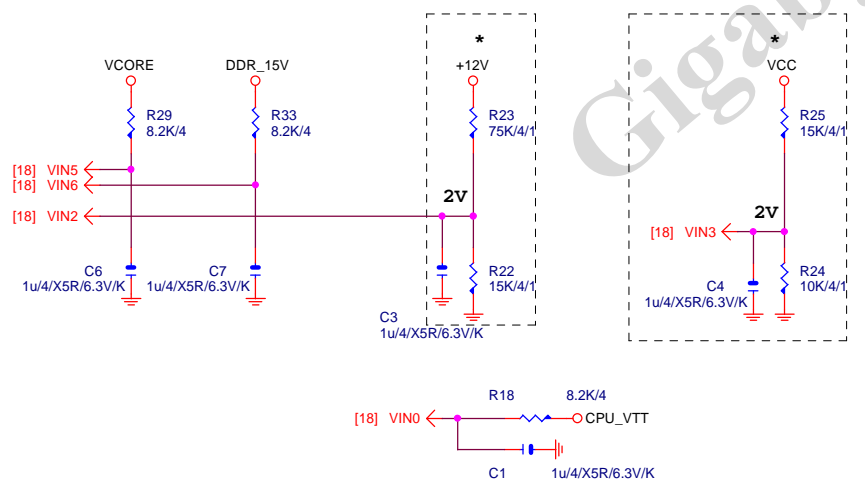


SYS SMART FAN

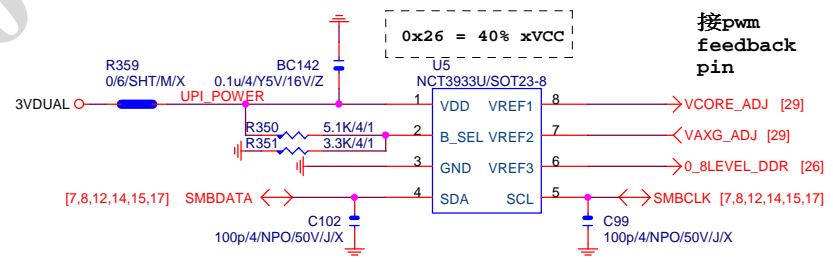


VOLTAGE-- H/W MONITOR

IT8728/EX VIN2/VIN3-->2V



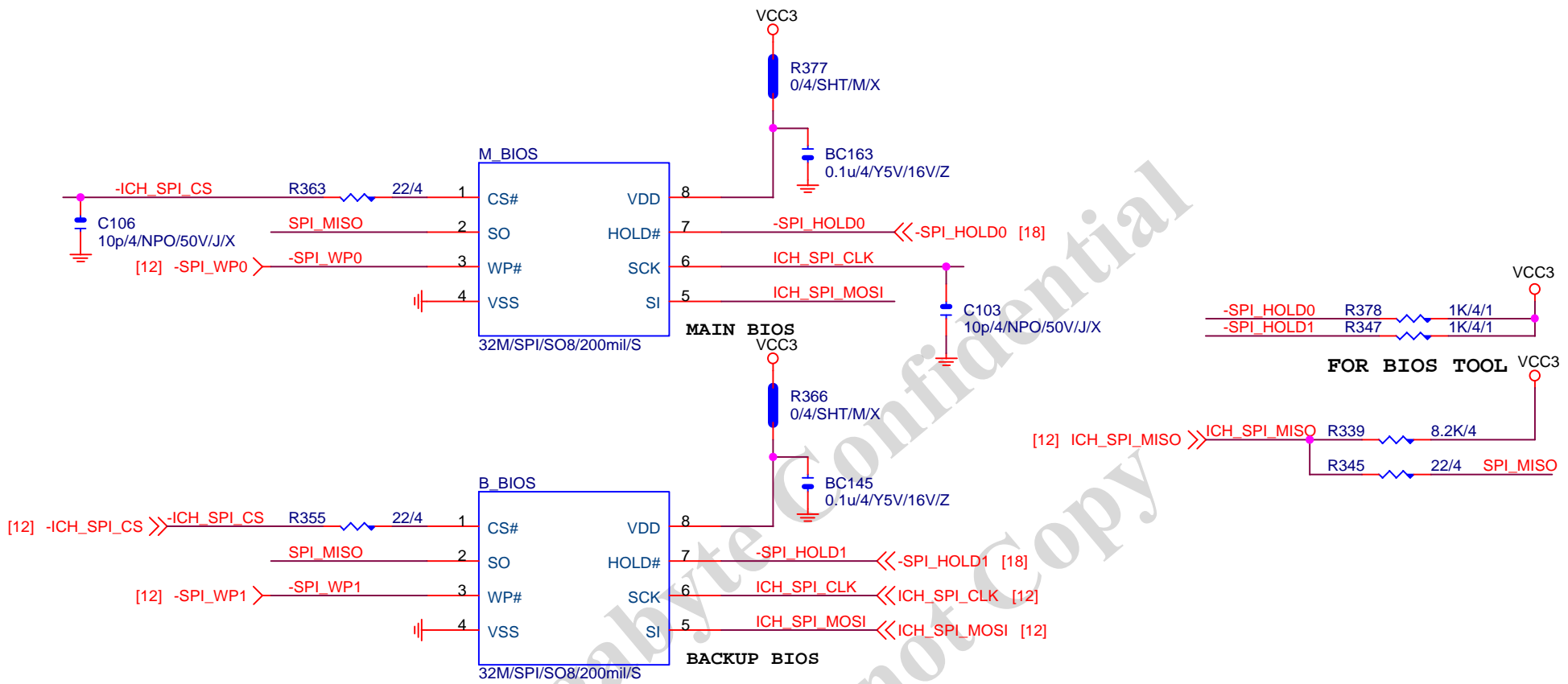
O.V.



Gigabyte Technology

Title		HWM,FAN CTRL,OV	
Size	Document Number	GA-H61M-S2P-R3	
Custom		Rev	3.01
Date:	Thursday, April 18, 2013	Sheet	20 of 33

DUAL BIOS



B65使用64M BIOS
 使用H67暫用32M
 H61使用32M BIOS

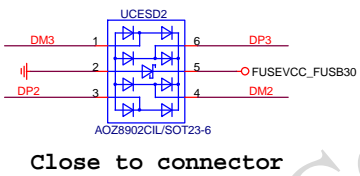
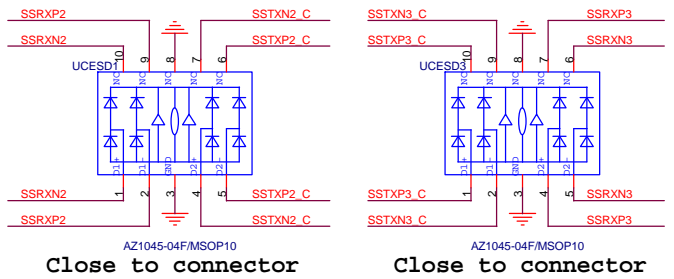
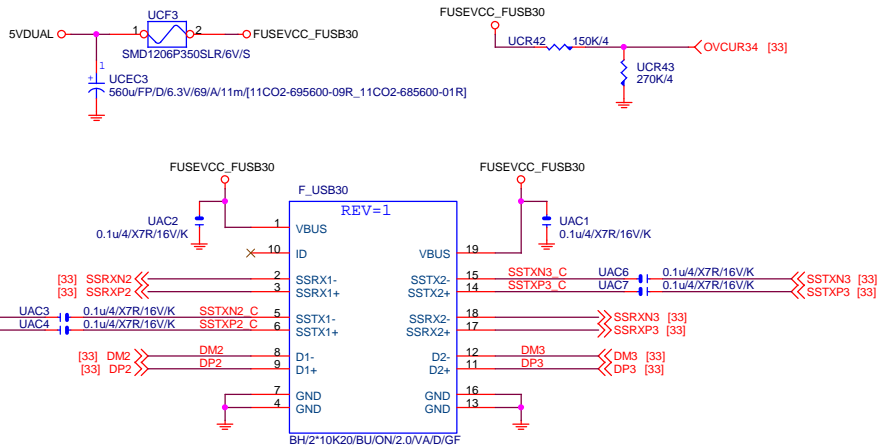
BOOT DEVICE	GNT1	GNT0
LPC	0	0
PCI	0	1
SPI	1	1

1 means floating
 0 means PD 1K

Gigabyte Technology

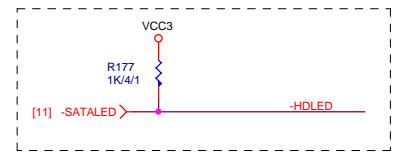
Title		
DUAL BIOS		
Size A	Document Number	Rev
	GA-H61M-S2P-R3	3.01
Date:	Thursday, April 18, 2013	Sheet 21 of 33

F_USB30

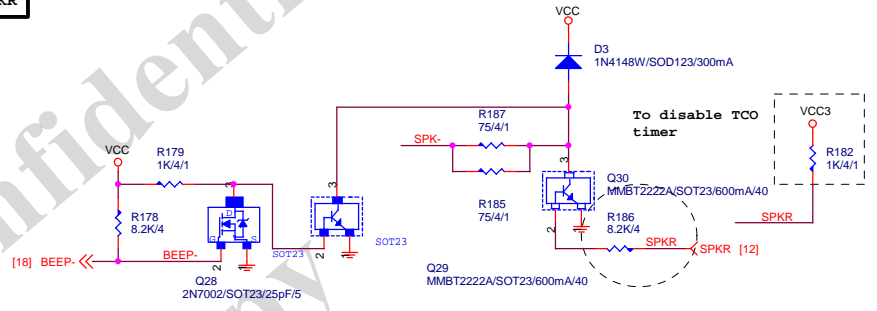


Close to connector

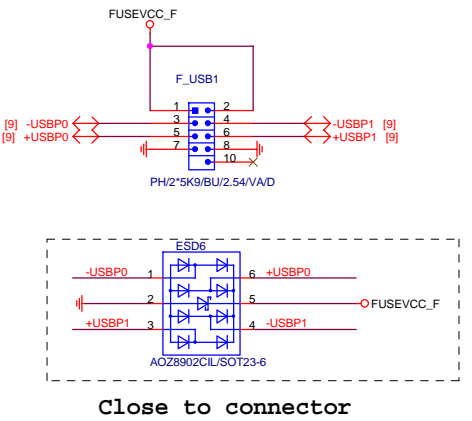
SATA LED



SPKR

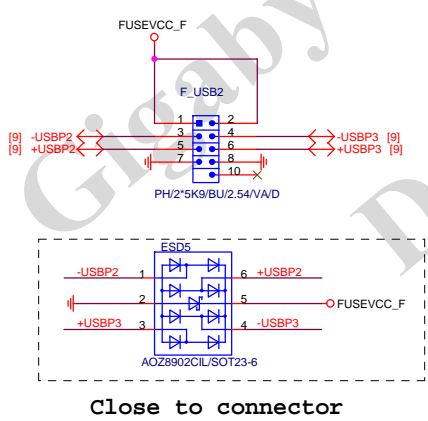


FRONT USB1



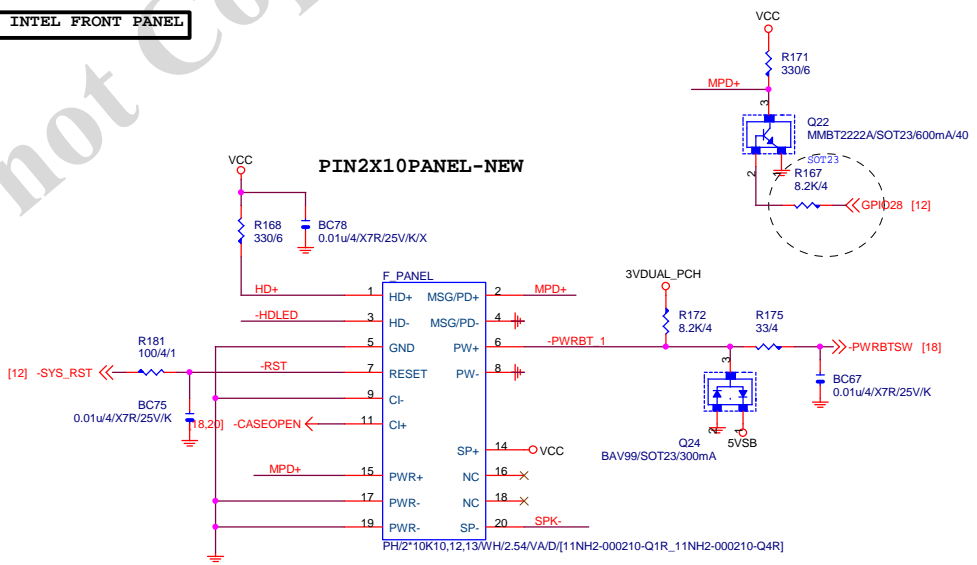
Close to connector

FRONT USB2



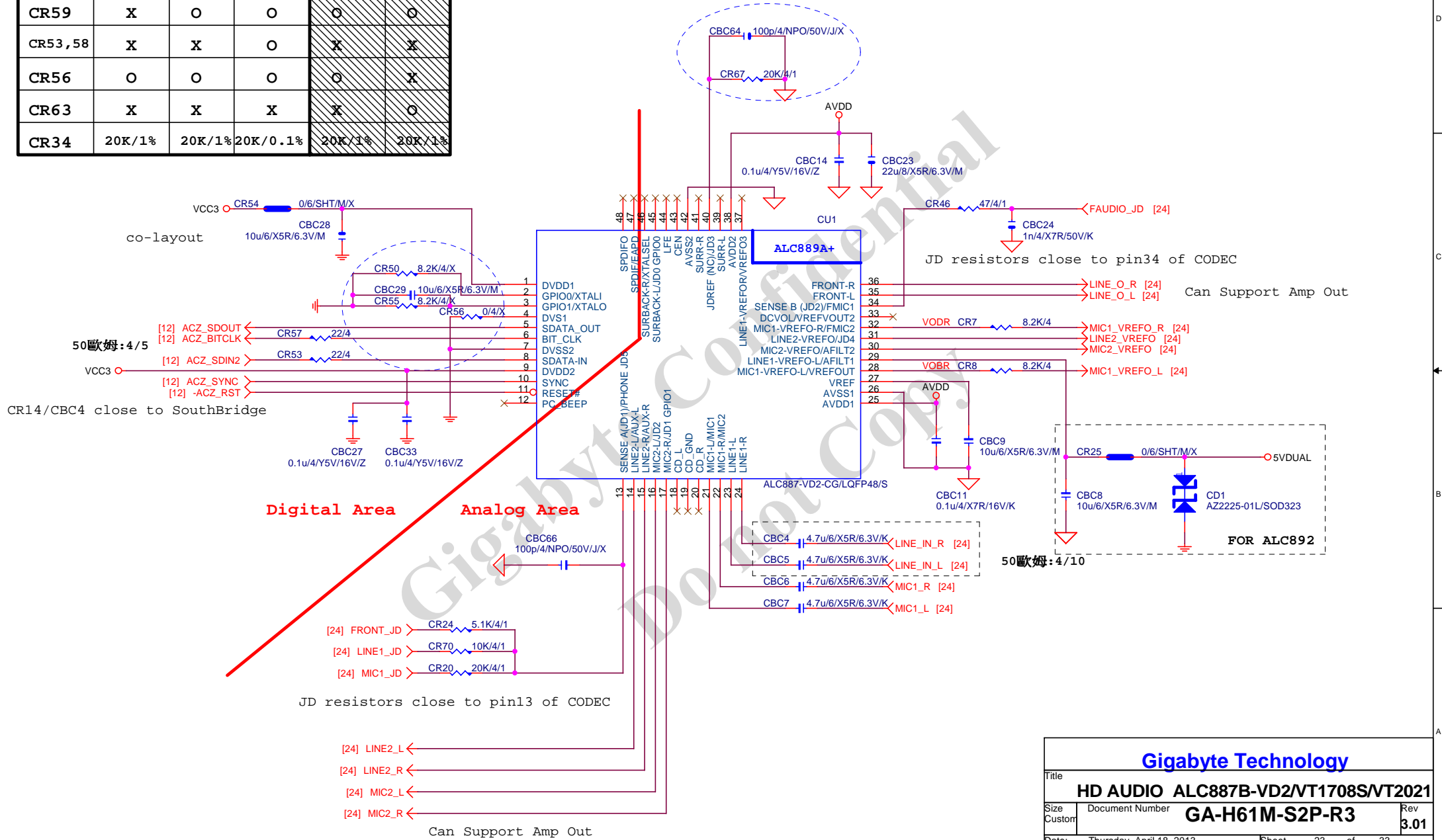
Close to connector

INTEL FRONT PANEL



Gigabyte Technology			
Title FP,F_USB,USB PWR,SPKR,SATA LED			
Size Custom	Document Number	GA-H61M-S2P-R3	
Date:	Thursday, April 18, 2013	Sheet	22 of 33
			Rev 3.01

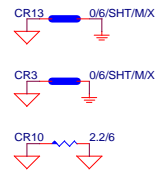
	ALC888B	ALC888-VA	ALC889A	ALC888B-VD	ALC892
CR59	X	O	O	O	O
CR53,58	X	X	O	X	X
CR56	O	O	O	O	X
CR63	X	X	X	X	O
CR34	20K/1%	20K/1%	20K/0.1%	20K/1%	20K/1%



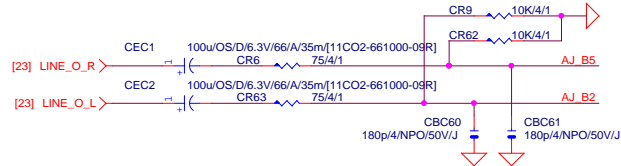
Gigabyte Technology

Title		HD AUDIO ALC887B-VD2/VT1708S/VT2021	
Size	Document Number	GA-H61M-S2P-R3	
Custom			Rev 3.01
Date:	Thursday, April 18, 2013	Sheet	23 of 33

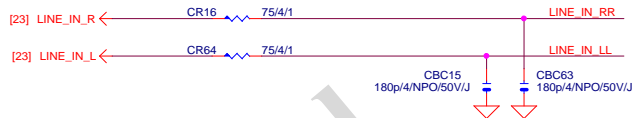
CODEC POWER/EMI PAD



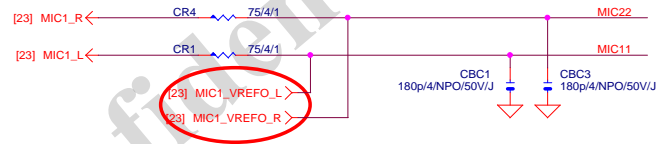
LINE-OUT



LINE-IN

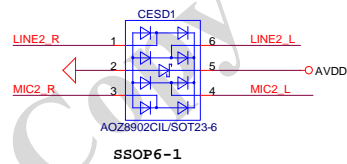


MIC-IN



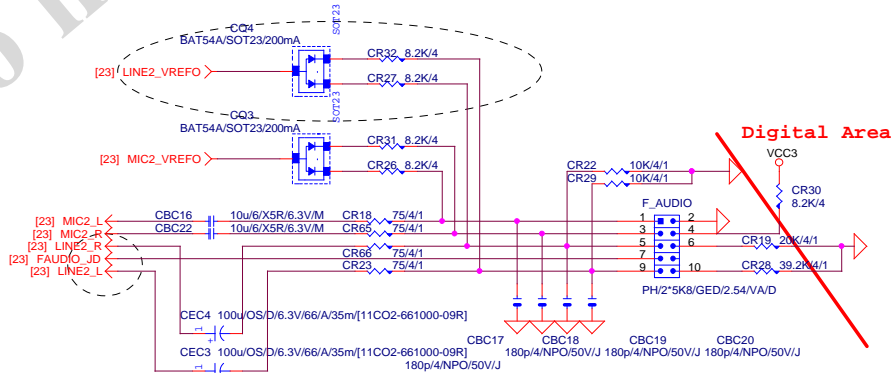
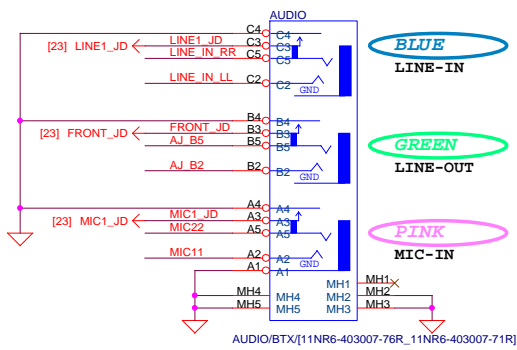
SPDIF N/A

F_AUDIOESD



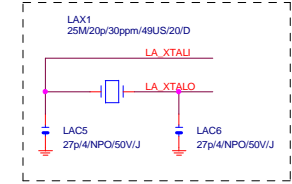
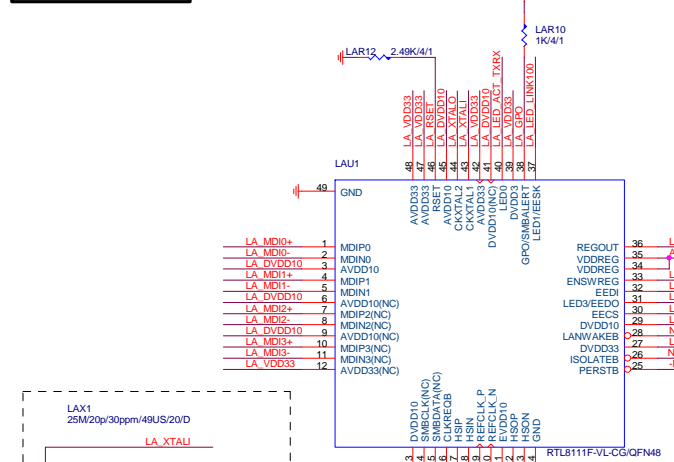
AZALIA JACK

AZALIA FRONT PANEL

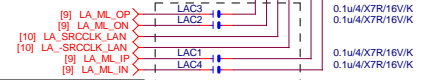


Gigabyte Technology			
AUDIO JACK			
Title	Document Number		Rev
	GA-H61M-S2P-R3		3.01
Date:	Thursday, April 18, 2013	Sheet	24 of 33

LAN:RTL8111E/VB/VL

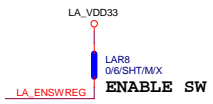


LA_ML-->80歐姆:[15/5/5/5/15]

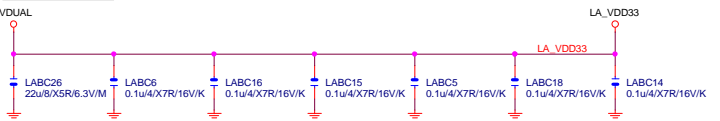


SRCLK-->50歐姆:[18/4/10/4/18]

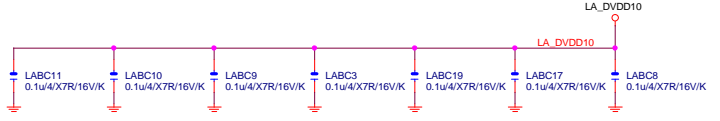
離IC近越好



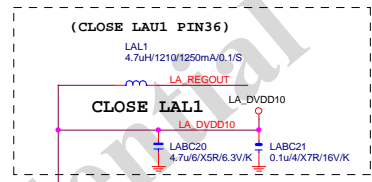
LAN POWER



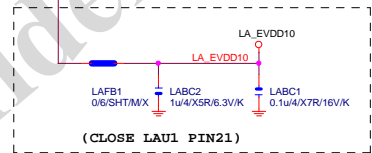
(CLOSE LAU1 PIN:12,27,39,42,47,48)



(CLOSE LAU1 PIN3,6,9,13,29,41,45)



(CLOSE LAU1 PIN36)



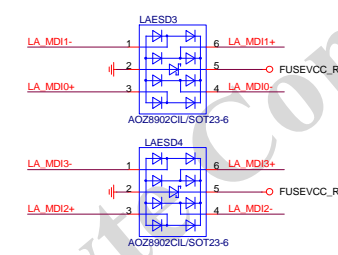
(CLOSE LAU1 PIN21)

CLOSE LAN CHIP

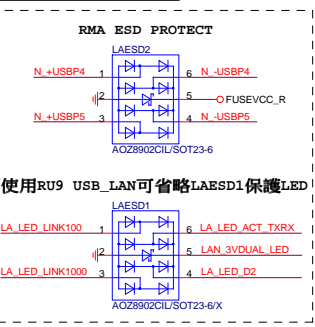
Power domain chart

	RTL8111E
AVDD33	3.3V
DVDD33	3.3V
VDDREG	3.3V
DVDD10	1.05V

MDI ESD 9KV

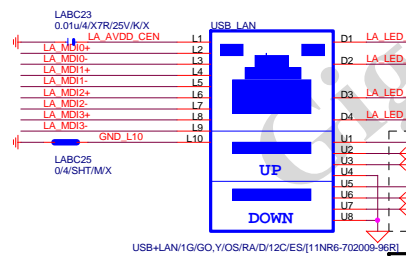


USB_LAN CONNECTOR



使用RU9 USB_LAN可省略LAESD1保護LED

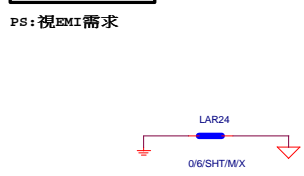
LA_MDI-->100歐姆:[20/4/8/4/20]



注意:USB PORT(目前:暫代6,7PORT)
USB-->90歐姆:[15/4.5/7.5/4.5/15]

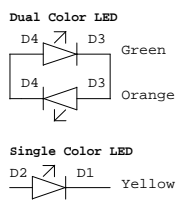
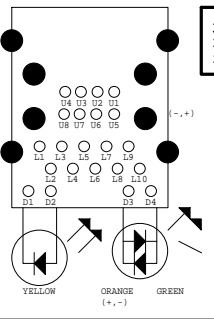
USB X3 POWER

EMI SHORT PAD



PS:視EMI需求

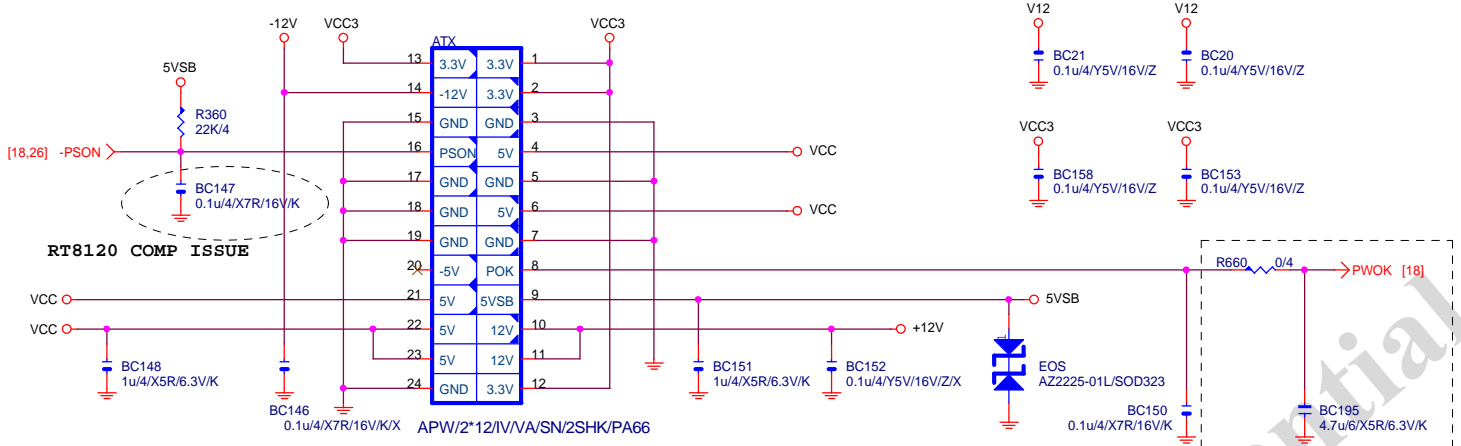
注意:LAN LED PROTECT:(CO-LAYOUT)
1.ESD(6PIN):AOZ8902CIL/SOT23-6(DEFAULT)
2.SURGE(5PIN):AZ2025-04S/SOT23-5L



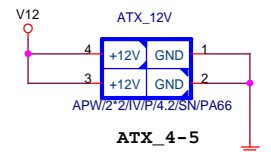
料號	規格	廠商
11NR6-702009-0ER	1G LAN(12core)	UDE
11NR6-702009-91R	1G LAN(8 core)	FOXCONN
11NR6-702009-92R	1G LAN(8 core)	UDE
11NR6-702009-11R	1G LAN(12core/RED)	UDE
11NR6-702009-12R	1G LAN(8 core/RED)	FOXCONN

USB_LAN BOM區分:
1.(紅色/12CORE/三倍):USB+LAN/1G/GO,Y/OS/RA/D/1/RED
2.(黑色/12CORE):USB+LAN/1G/GO,Y/OS/RA/D/1
3.(黑色/8CORE):USB+LAN/1G/GO,Y/OS/RA/D/8C

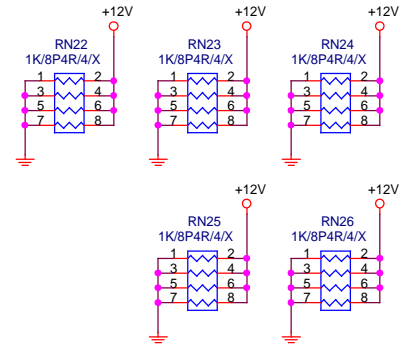
ATXX24 POWER CONNECTOR



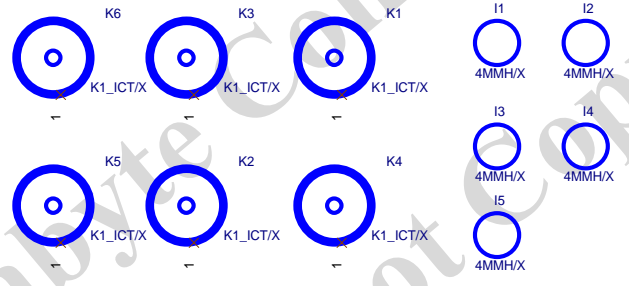
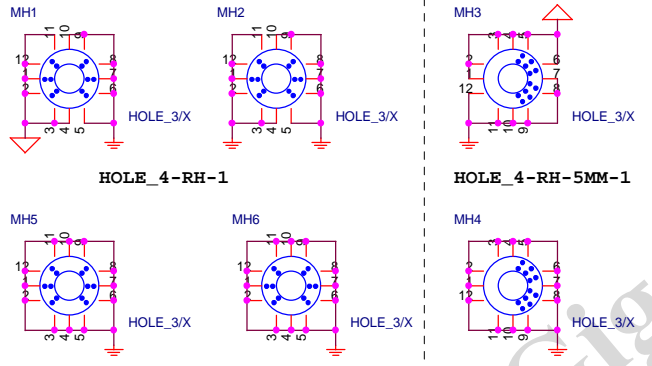
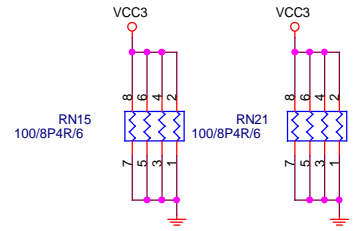
ATXX4 POWER CONNECTOR



MIN. LOAD



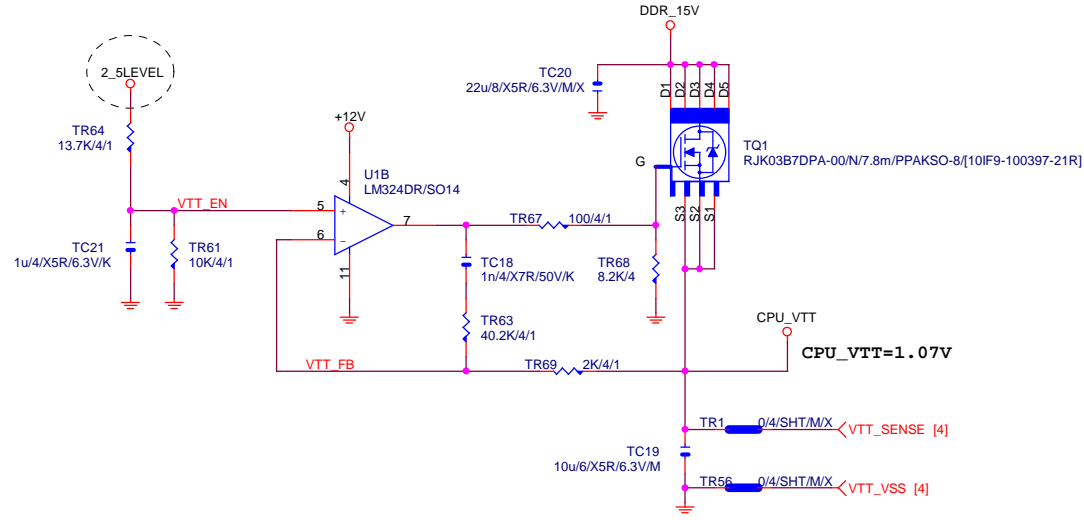
FIX PWR MINMUN LOAD



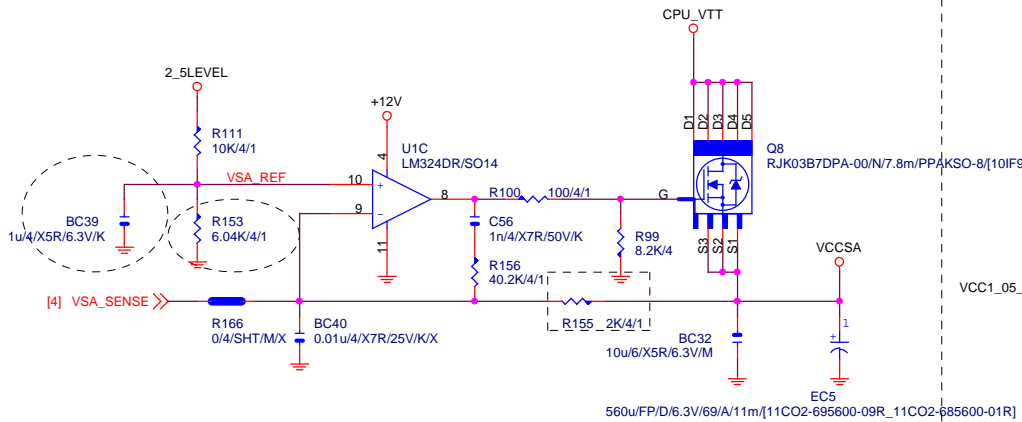
To prevent the 5VSB under loading when boot

Gigabyte Technology		
ATX CONNECTOR		
Size Custom	Document Number	Rev 3.01
GA-H61M-S2P-R3		
Date: Thursday, April 18, 2013	Sheet 27	of 33

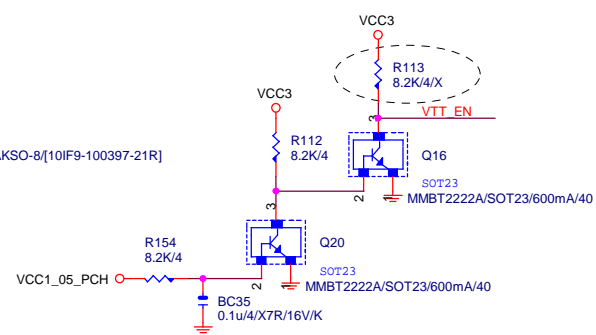
CPU_VTT



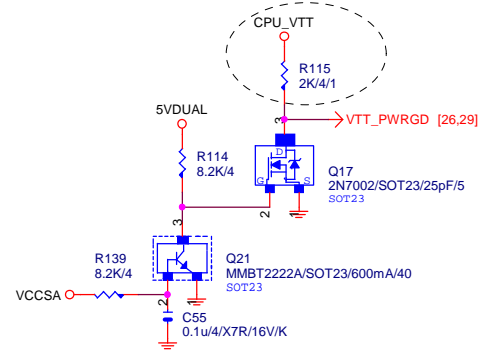
VCCSA



CPU_VTT PWR SEQ



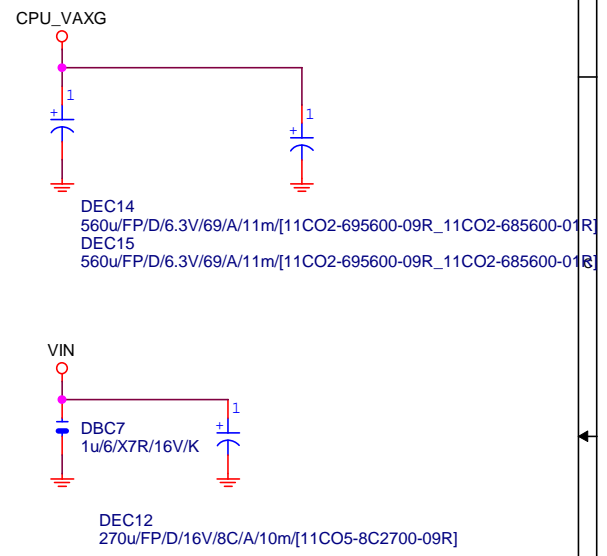
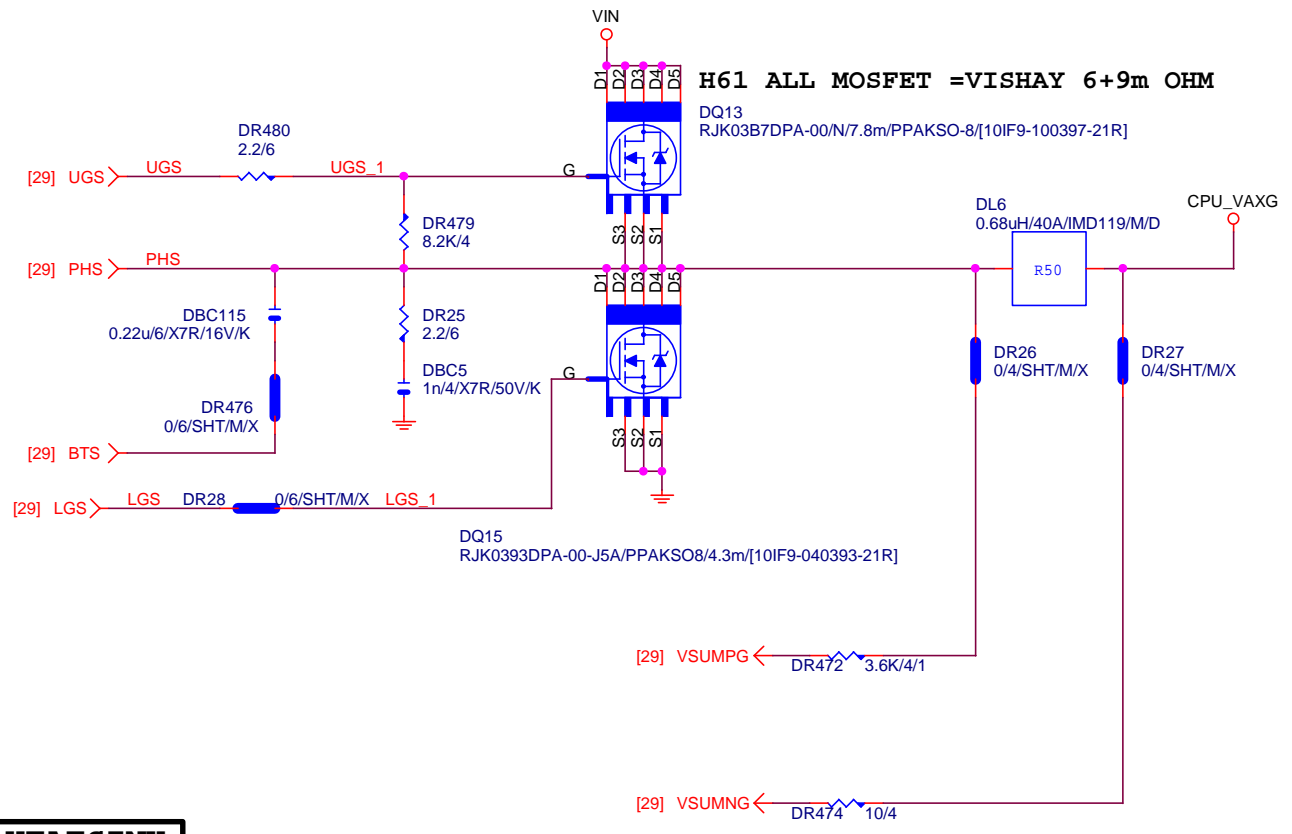
VTT_PWRGD



GIGABYTE™

Title		
CPU_VTT PWM_RT8120		
Size B	Document Number	Rev
	GA-H61M-S2P-R3	3.01
Date:	Thursday, April 18, 2013	Sheet 28 of 33

VAXG

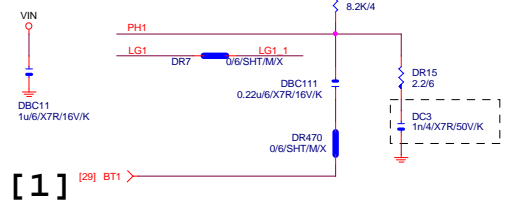
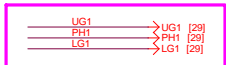


MOS HEATSINK

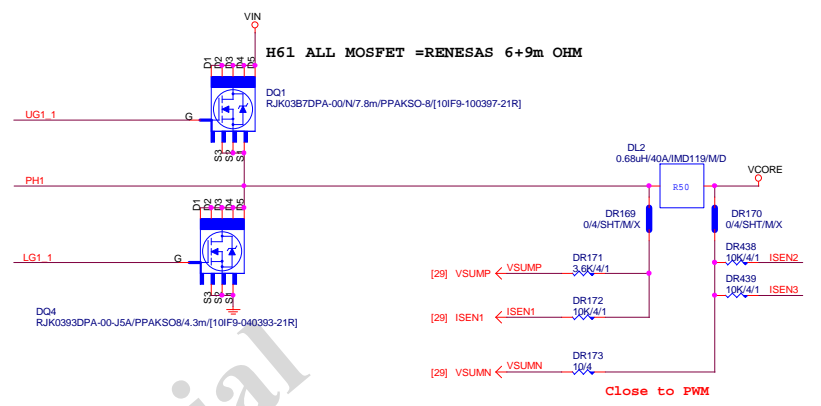
N/A

Gigabyte Technology			
Title			
CPU CORE VR-2			
Size	Document Number	GA-H61M-S2P-R3	
Custom		Rev	3.01
Date: Thursday, April 18, 2013		Sheet 30	of 33

PHASE 1



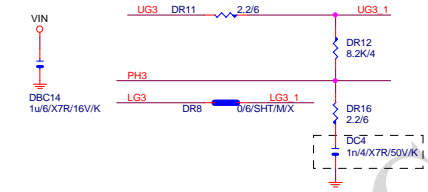
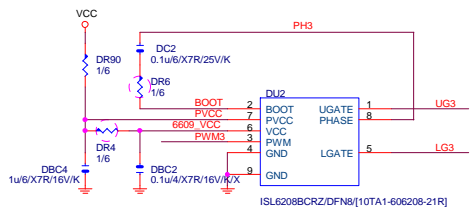
[1] [29] BT1



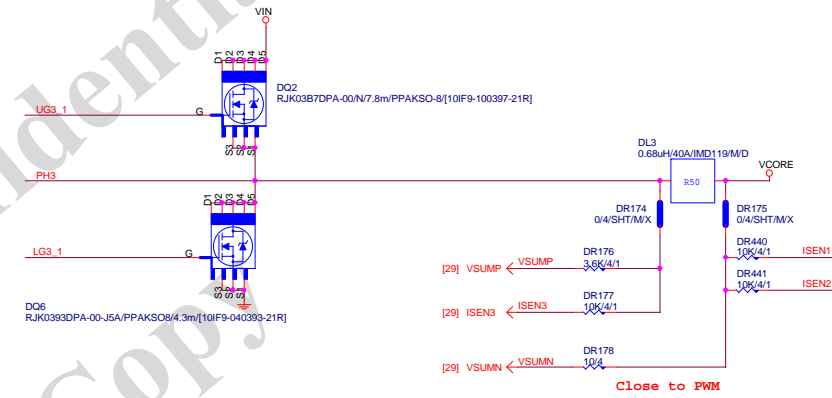
H61 ALL MOSFET =RENESAS 6+9m OHM

PHASE 3

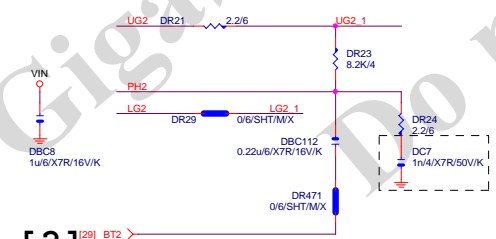
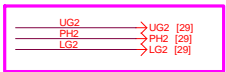
Pop ISL6625CB for PS1
[ISL6625CBZ/S08]



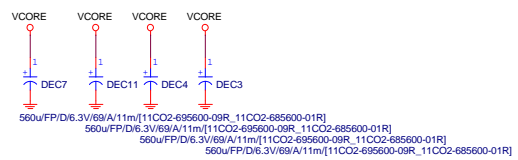
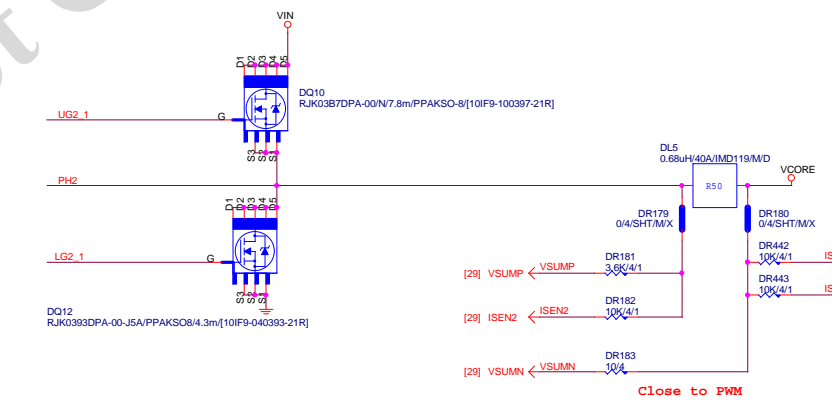
[3]



PHASE 2



[2] [29] BT2

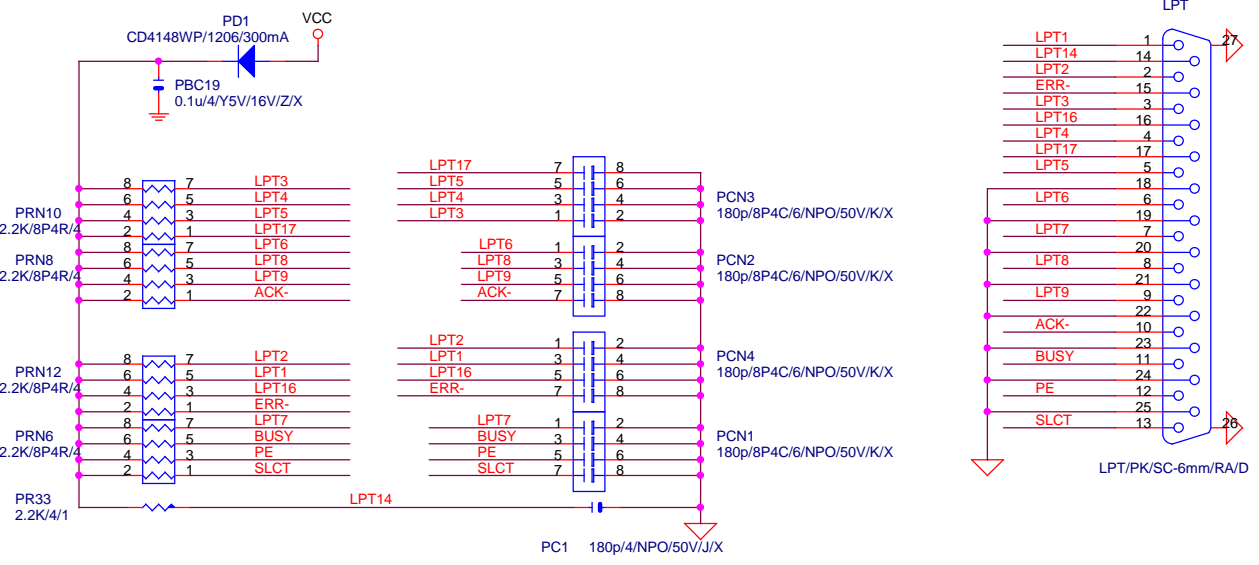
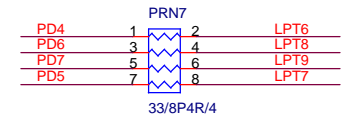
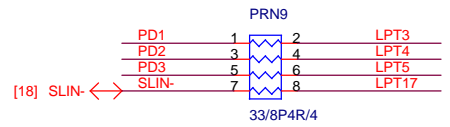
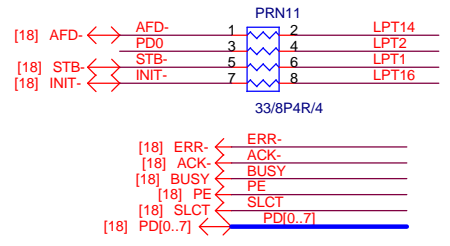


Gigabyte Technology		
CPU CORE VR-3		
Document Number		Rev
GA-H61M-S2P-R3		3.01
Date: Thursday, April 18, 2013	Sheet 31	of 33

TPM

N/A

LPT PORT



COMB

N/A

Gigabyte Technology

LPT

GA-H61M-S2P-R3

Rev 3.01

